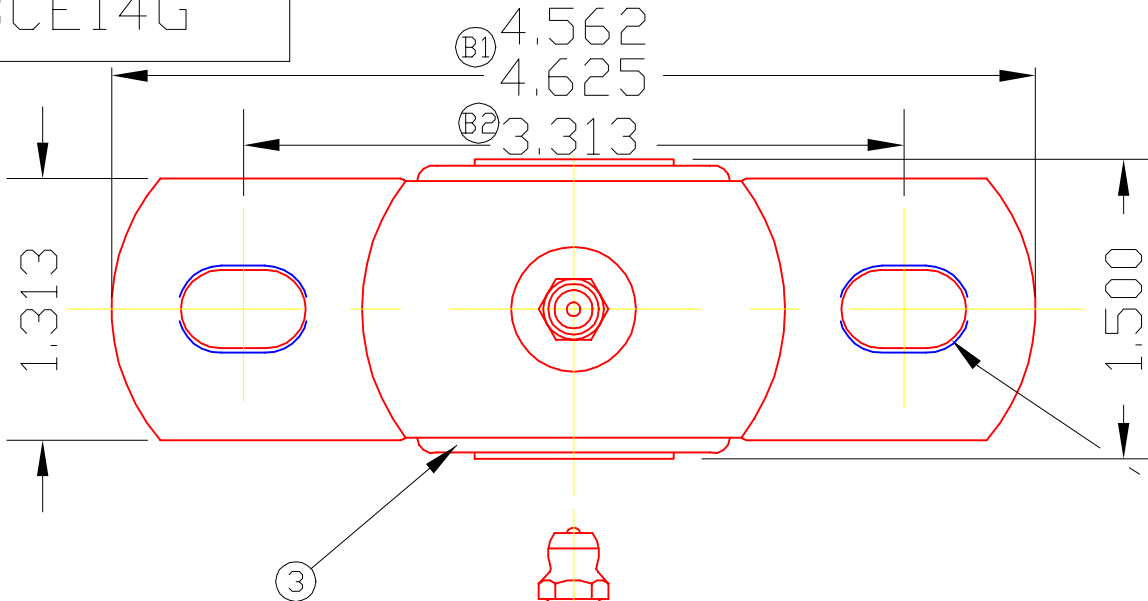
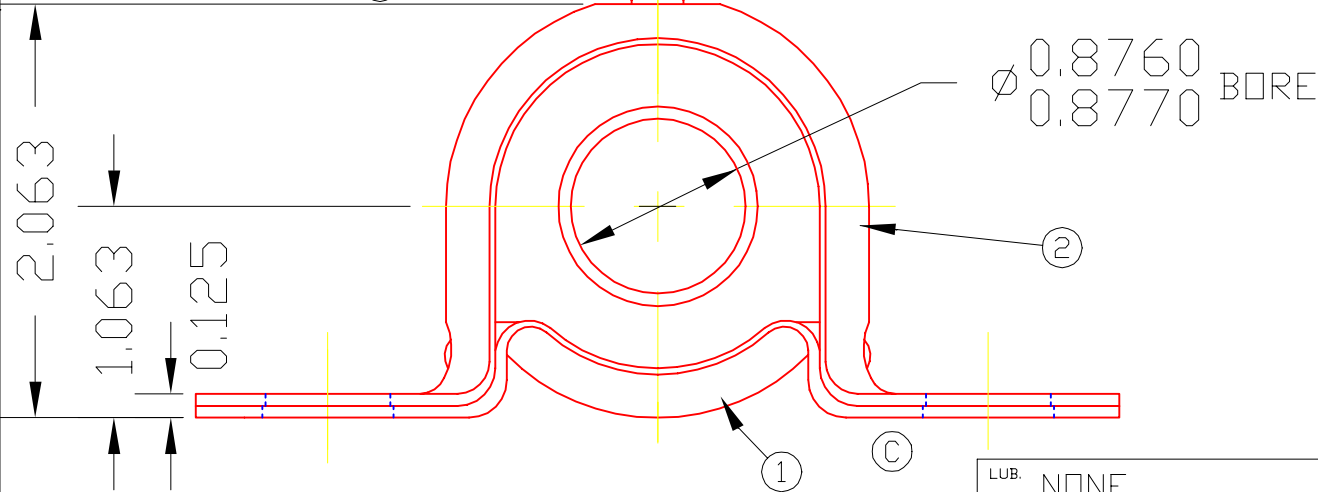


BCE14G



SLOTS IN BASE & CONTAINER MAY HAVE SLIGHT MISALIGNMENT IN THE LONG DIRECTION. (D)

2 SLOTS
0.391 WIDE X 0.625 LONG



3	E14G	BALL ASS'Y	1
2	1044	CONTAINER	1
1	1045	BRACKET	1

DET	PART NUMBER	DESCRIPTION	AMT
-----	-------------	-------------	-----

▲ TRIANGLE MANUFACTURING CO.
OSHKOSH, WI.

NAME PILLLOW BLOCK BEARING

USED IN // // //

DATE 12-15-59 PART NO.

DRAWN BW-88
CHECKED MJK

SCALE 1 / 1

(A)	LUB. NONE
	PLATING GALV
	MATERIAL SEE DETAILS
	ALL DIMS. ± 0.020 UNLESS OTHERWISE SPECIFIED

BCE14G

CHANGE LEVEL
D 07-12-02