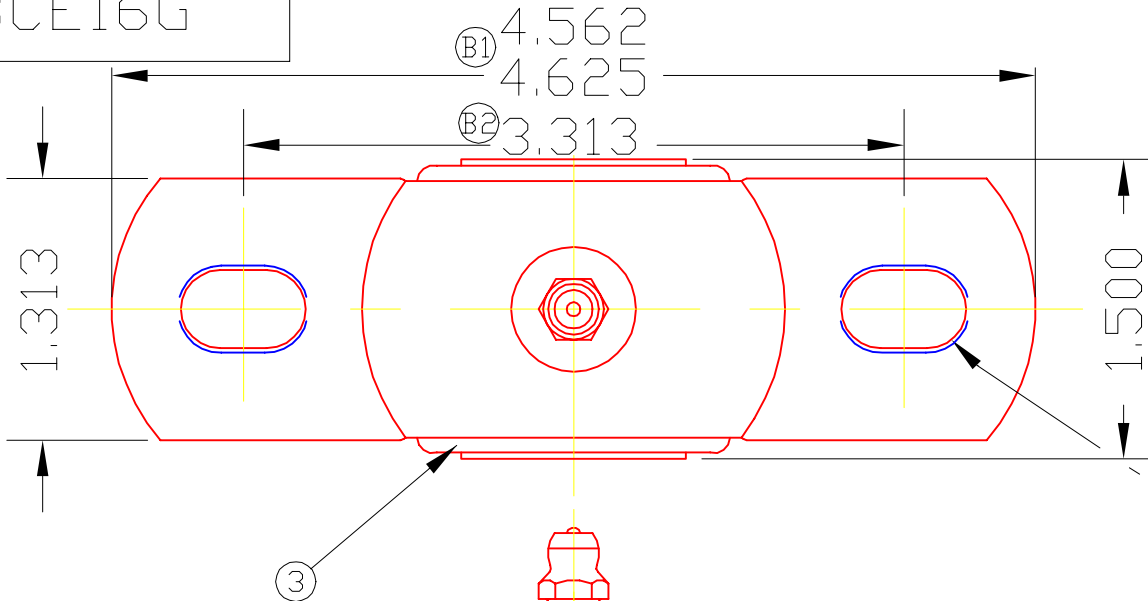
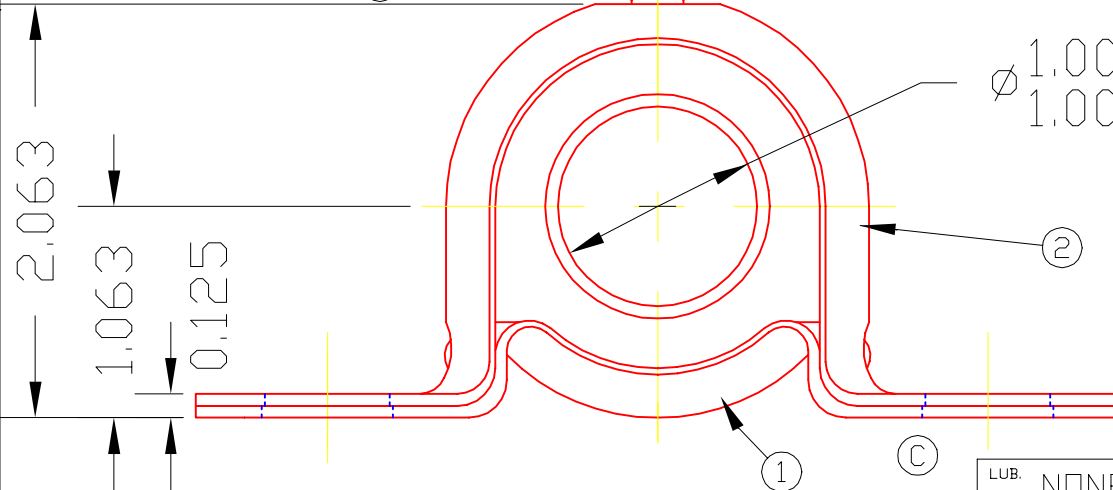


BCE16G



SLOTS IN BASE & CONTAINER MAY HAVE SLIGHT MISALIGNMENT IN THE LONG DIRECTION. (D)

2 SLOTS
0.391 WIDE X 0.625 LONG



BORE TOLLERANCES ARE TO PLUG GAUGE ONLY

Ø 1.0020 BORE
1.0030

3	E16G	BALL ASS'Y	1
2	1044	CONTAINER	1
1	1045	BRACKET	1

DET	PART NUMBER	DESCRIPTION	AMT
-----	-------------	-------------	-----

▲ TRIANGLE MANUFACTURING CO.
OSHKOSH, WI.

NAME PILLLOW BLOCK BEARING

USED IN // // //

DATE 12-15-59 PART NO.

DRAWN BW-88
CHECKED MJK

SCALE 1 / 1

BCE16G

CHANGE LEVEL
D 07-12-02

(A)	LUB. NONE
	PLATING GALV
	MATERIAL SEE DETAILS
	ALL DIMS. ±.020 UNLESS OTHERWISE SPECIFIED