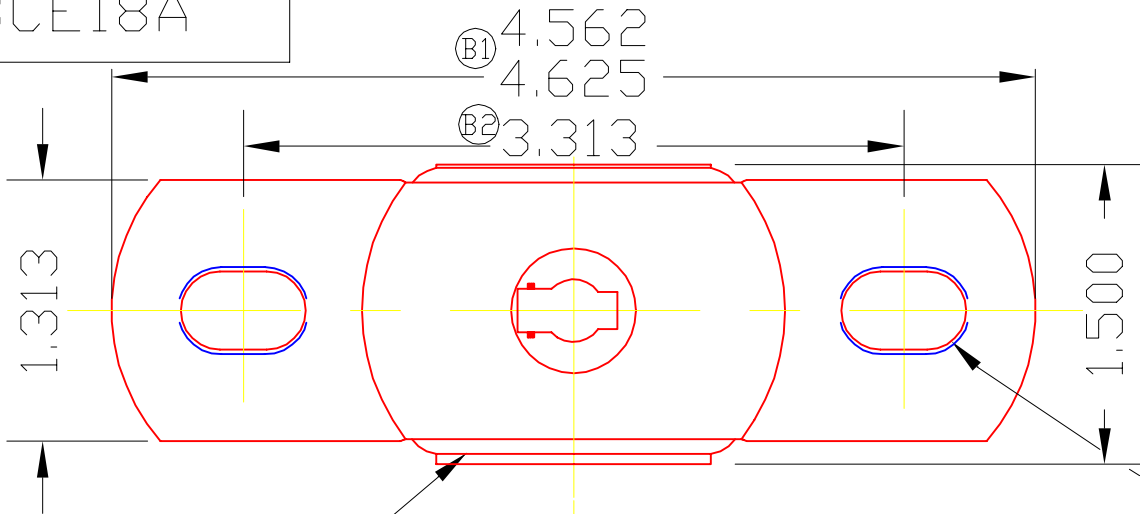
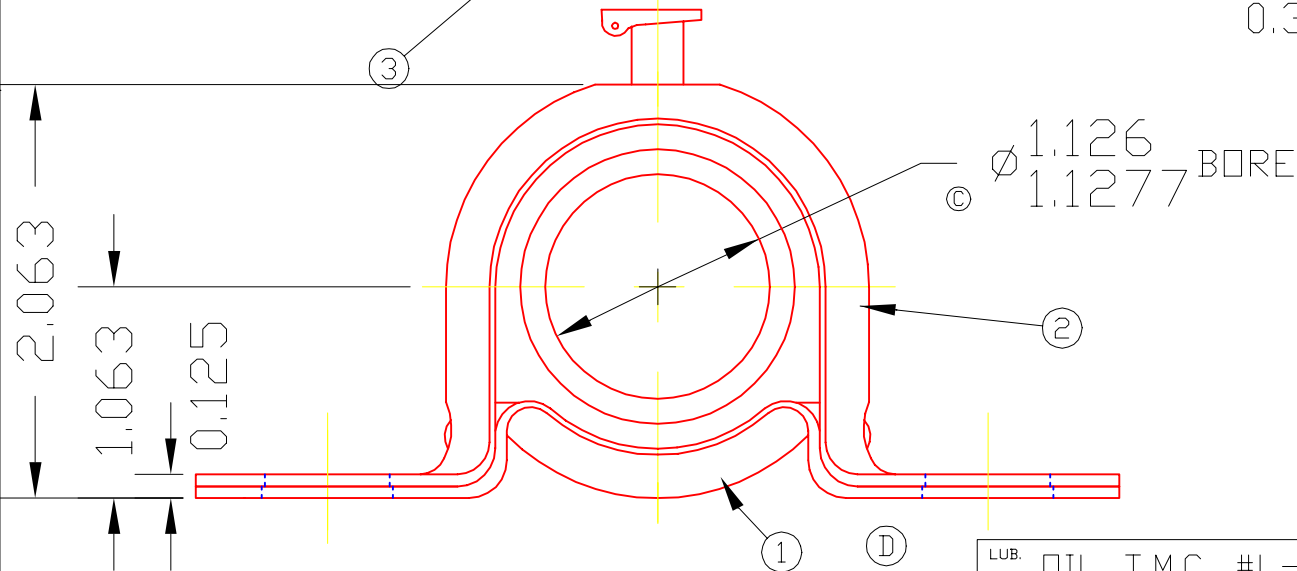


BCE18A



SLOTS IN BASE & CONTAINER MAY HAVE SLIGHT MISALIGNMENT IN THE LONG DIRECTION. (D)

2 SLOTS  
0.391 WIDE X 0.625 LONG



3	E18A	BALL ASS'Y	1
2	1044	CONTAINER	1
1	1045	BRACKET	1

DET	PART NUMBER	DESCRIPTION	AMT
-----	-------------	-------------	-----

A TRIANGLE MANUFACTURING CO.  
OSHKOSH, WI.

NAME PILLOW BLOCK BEARING

USED IN ///

DATE 1-4-60

PART NO.

DRAWN BW-88

CHECKED MJK

SCALE 1 / 1

BCE18A

CHANGE LEVEL
D 01-22-02

LUB.	OIL T.M.C. #L-1
PLATING	GALV
MATERIAL	SEE DETAILS
ALL DIMS. $\pm 0.020$ UNLESS OTHERWISE SPECIFIED	