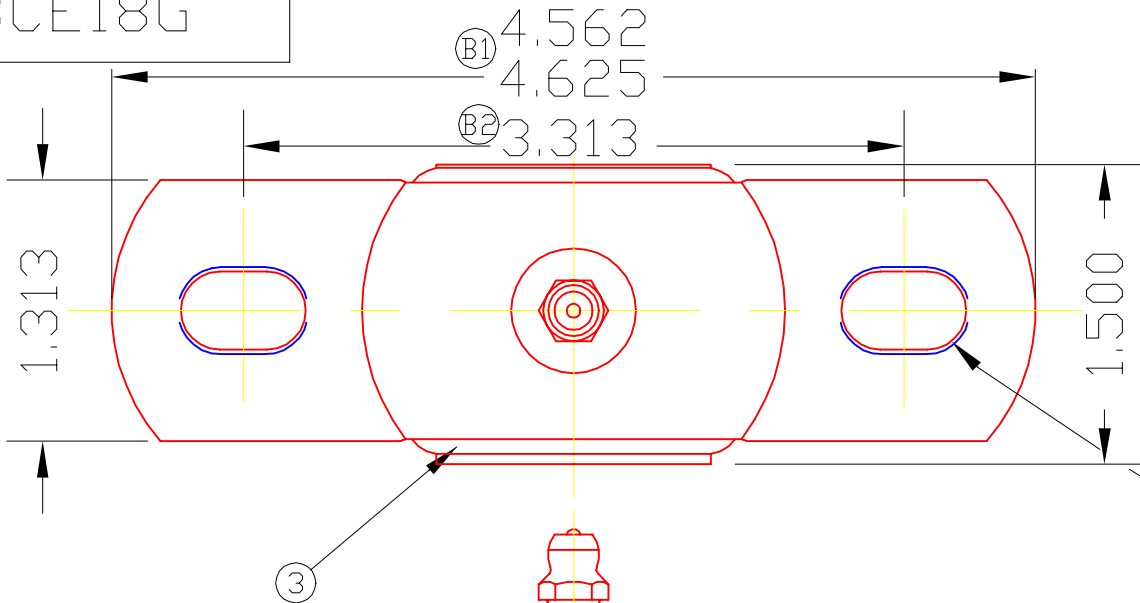
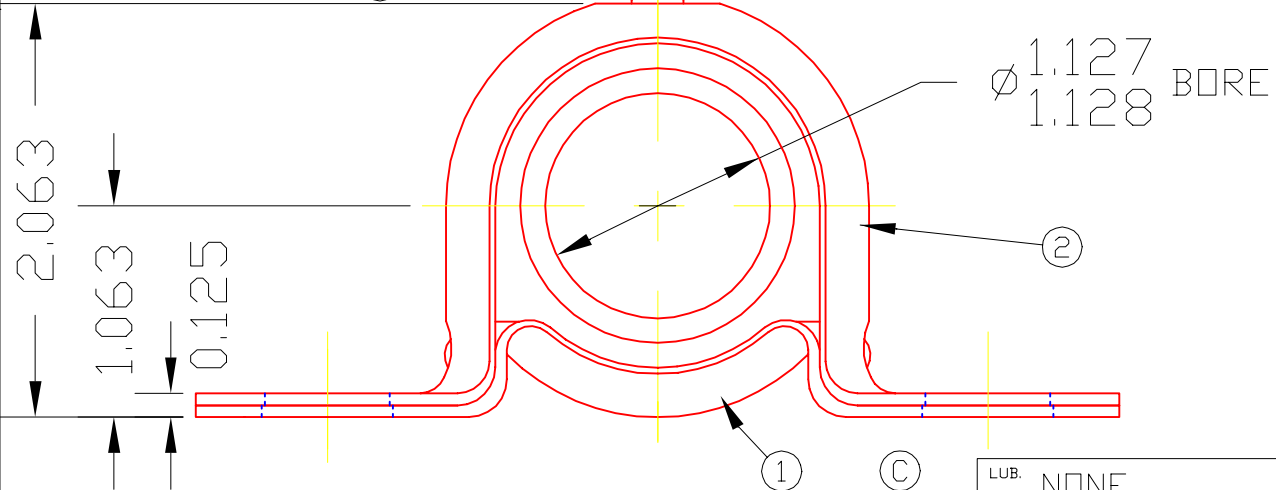


BCE18G



SLOTS IN BASE & CONTAINER MAY HAVE SLIGHT MISALIGNMENT IN THE LONG DIRECTION. (D)

2 SLOTS
0.391 WIDE X 0.625 LONG



3	E18G	BALL ASS'Y	1
2	1044	CONTAINER	1
1	1045	BRACKET	1

DET	PART NUMBER	DESCRIPTION	AMT
A TRIANGLE MANUFACTURING CO. OSHKOSH, WI.			

NAME PILLOW BLOCK BEARING

LUB. NONE		USED IN	////
PLATING GALV		DATE	12-15-59
MATERIAL SEE DETAILS		DRAWN	BW-88
ALL DIMS. ±.020 UNLESS OTHERWISE SPECIFIED		CHECKED	MJK
		SCALE	1 / 1
			PART NO. BCE18G

CHANGE LEVEL	
D	07-12-02