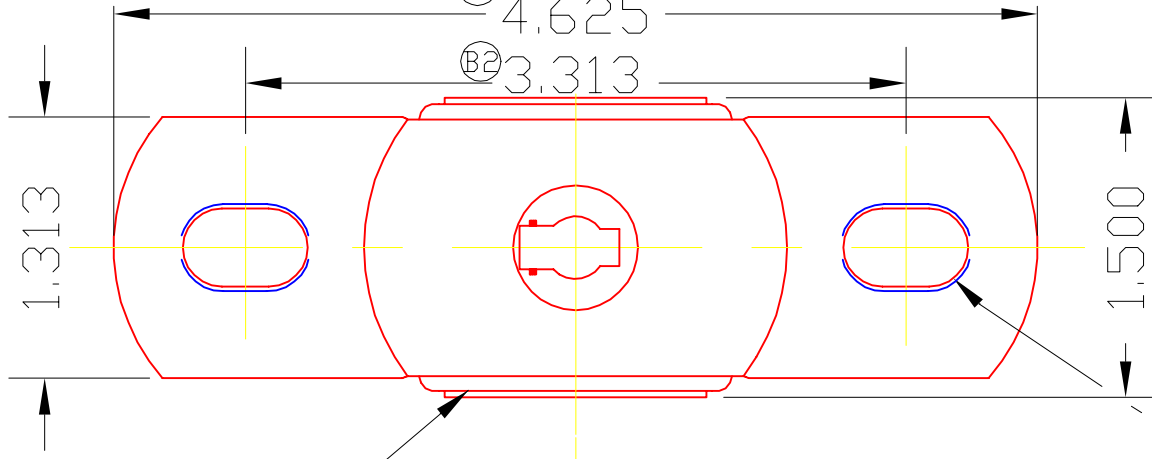


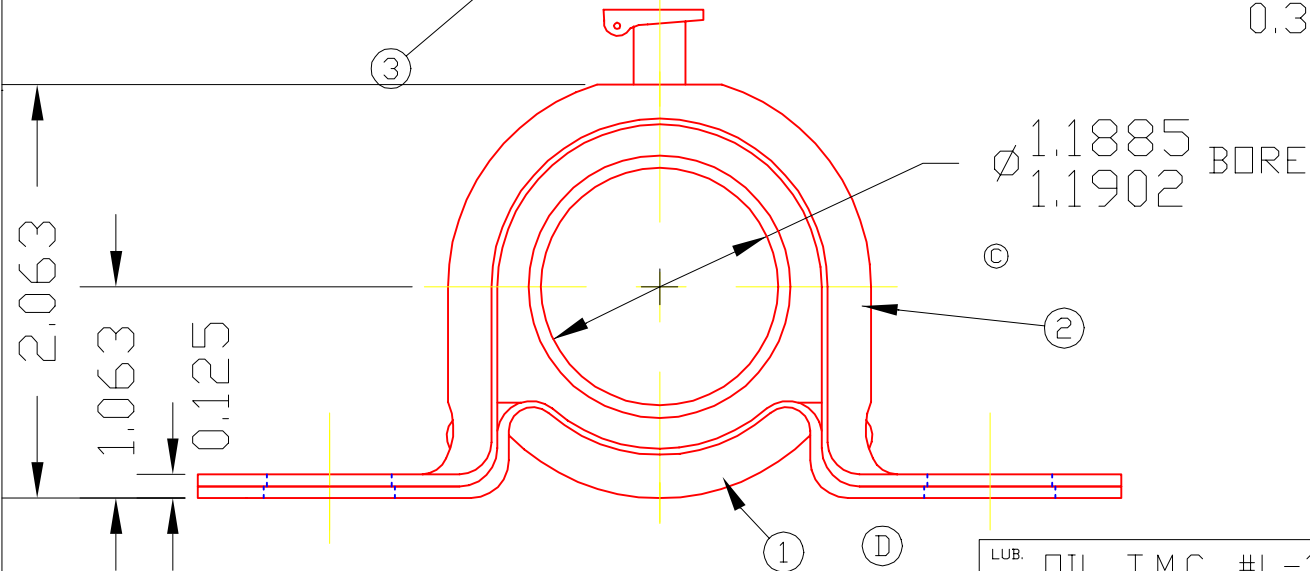
BCE19A

ⓑ1 4.562
4.625
ⓑ2 3.313

SLOTS IN BASE & CONTAINER MAY HAVE SLIGHT MISALIGNMENT IN THE LONG DIRECTION. ⓔ



2 SLOTS
0.391 WIDE X 0.625 LONG



3	E19A	BALL ASS'Y	1
2	1044	CONTAINER	1
1	1045	BRACKET	1

DET	PART NUMBER	DESCRIPTION	AMT
A TRIANGLE MANUFACTURING CO. OSHKOSH, WI.			

NAME PILLOW BLOCK BEARING

LUB.	OIL T.M.C. #L-1
PLATING	GALV
MATERIAL	SEE DETAILS
ALL DIMS. ±.020 UNLESS OTHERWISE SPECIFIED	

USED IN	////
DATE	1-4-60
DRAWN	BW-88
CHECKED	MJK
SCALE	1 / 1

BCE19A

CHANGE LEVEL
E 07-11-02