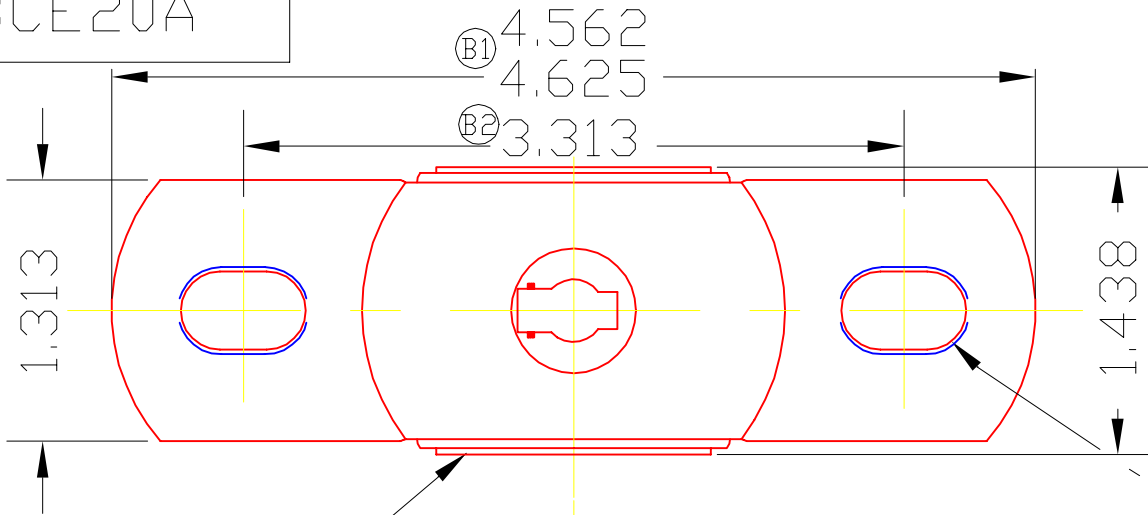
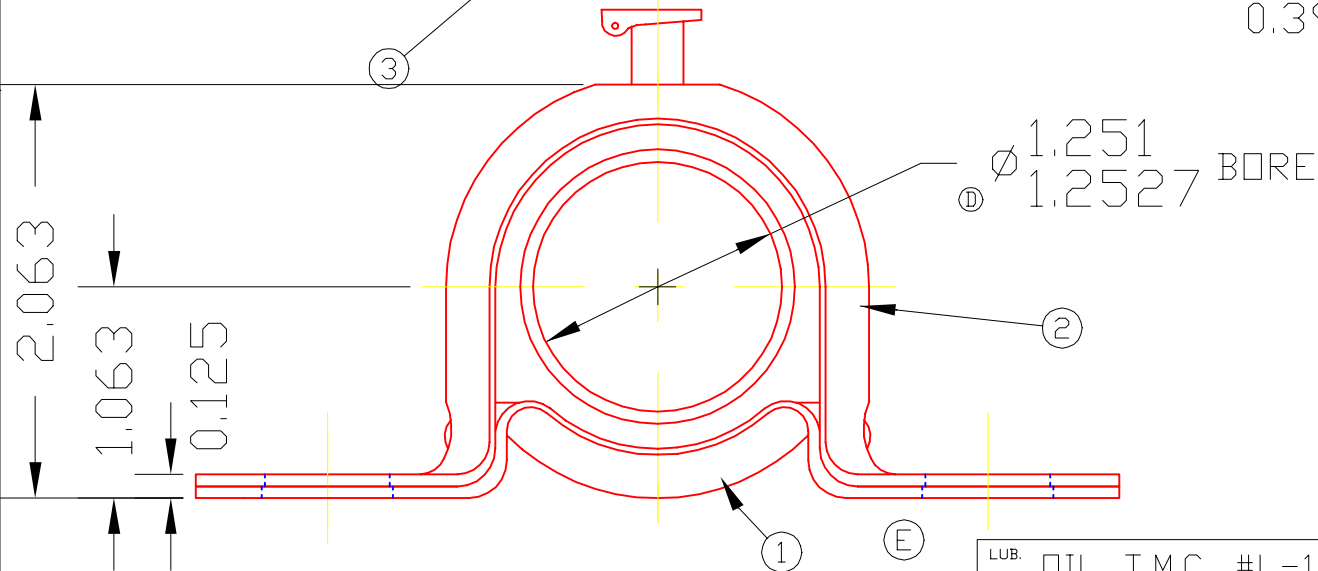


BCE20A



SLOTS IN BASE & CONTAINER MAY HAVE SLIGHT MISALIGNMENT IN THE LONG DIRECTION. (F)

2 SLOTS
0.391 WIDE X 0.625 LONG



(D) \varnothing 1.251
1.2527 BORE

3	E20A	BALL ASS'Y	1
2	1044	CONTAINER	1
1	1045	BRACKET	1

DET	PART NUMBER	DESCRIPTION	AMT
-----	-------------	-------------	-----

A TRIANGLE MANUFACTURING CO.
OSHKOSH, WI.

NAME PILLOW BLOCK BEARING

USED IN // // //

DATE 1-4-60 PART NO.

DRAWN BW-88
CHECKED MJK

SCALE 1 / 1

BCE20A

CHANGE LEVEL
F 07-11-02

(A)	LUB. OIL T.M.C. #L-1
	PLATING GALV
	MATERIAL SEE DETAILS
	ALL DIMS. \pm .020 UNLESS OTHERWISE SPECIFIED