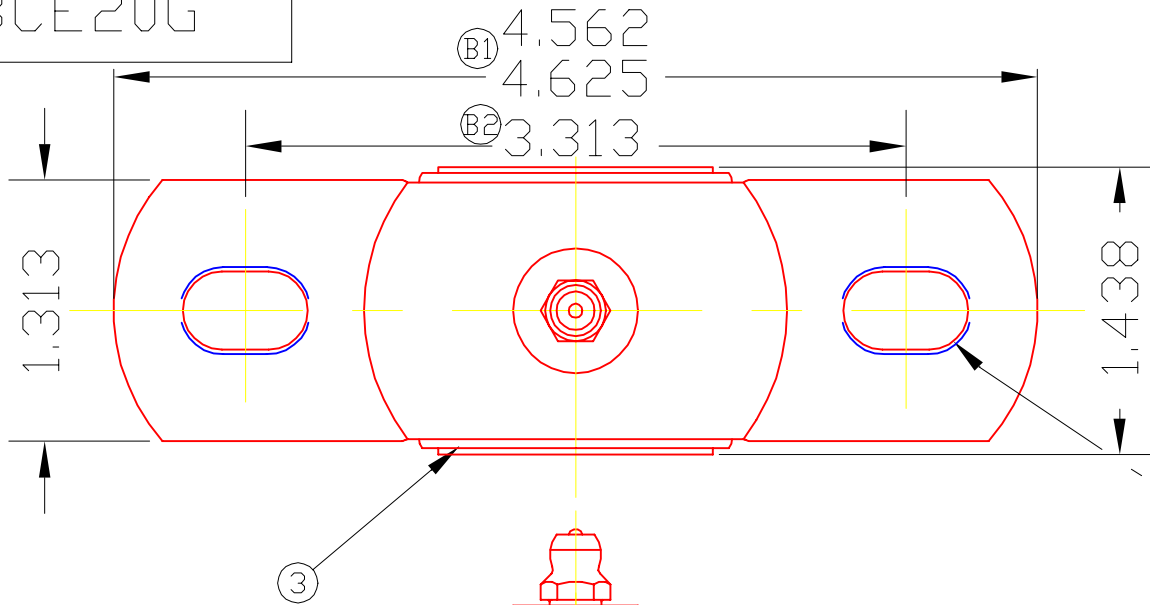
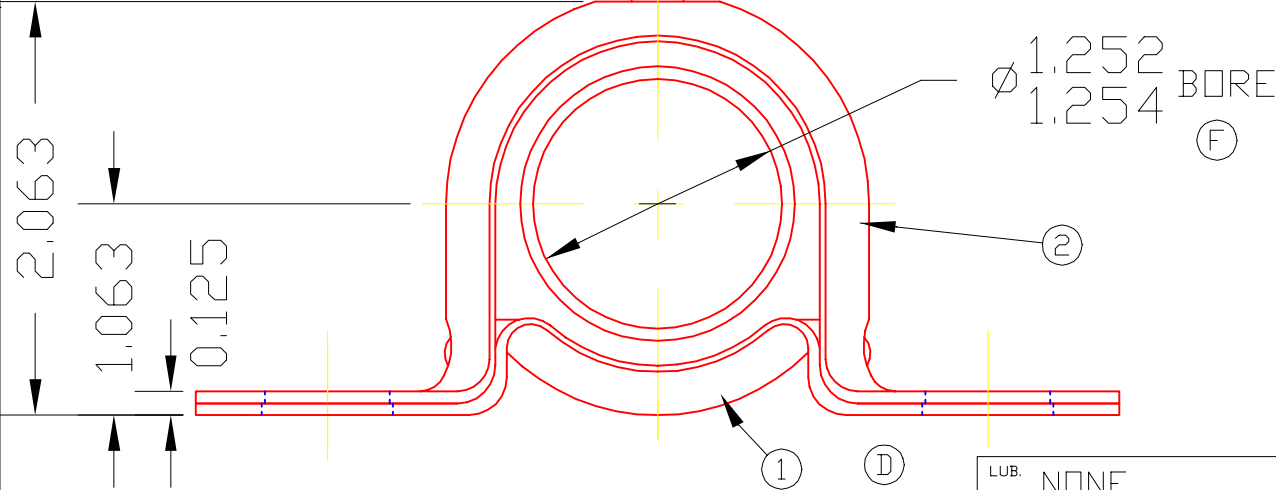


BCE20G



SLOTS IN BASE & CONTAINER MAY HAVE SLIGHT MISALIGNMENT IN THE LONG DIRECTION. (E)

2 SLOTS
0.391 WIDE X 0.625 LONG



3	E20G	BALL ASS'Y	1
2	1044	CONTAINER	1
1	1045	BRACKET	1
DET	PART NUMBER	DESCRIPTION	AMT

A TRIANGLE MANUFACTURING CO.
OSHKOSH, WI.

NAME PILLOW BLOCK BEARING

USED IN // // //

DATE 12-15-59 PART NO.

DRAWN BW-88

CHECKED MJK

SCALE 1 / 1

BCE20G

CHANGE LEVEL
F 04-23-03

(A)	LUB. NONE
	PLATING GALV
	MATERIAL SEE DETAILS
	ALL DIMS. ±.020 UNLESS OTHERWISE SPECIFIED