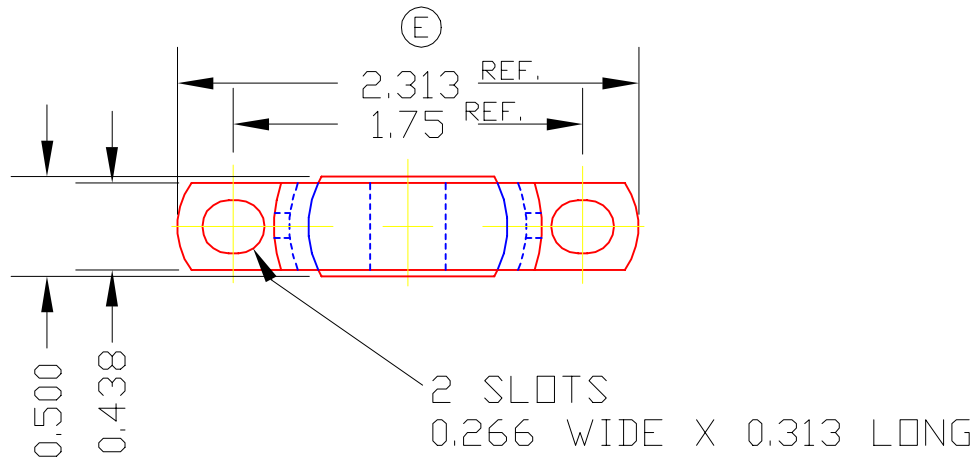
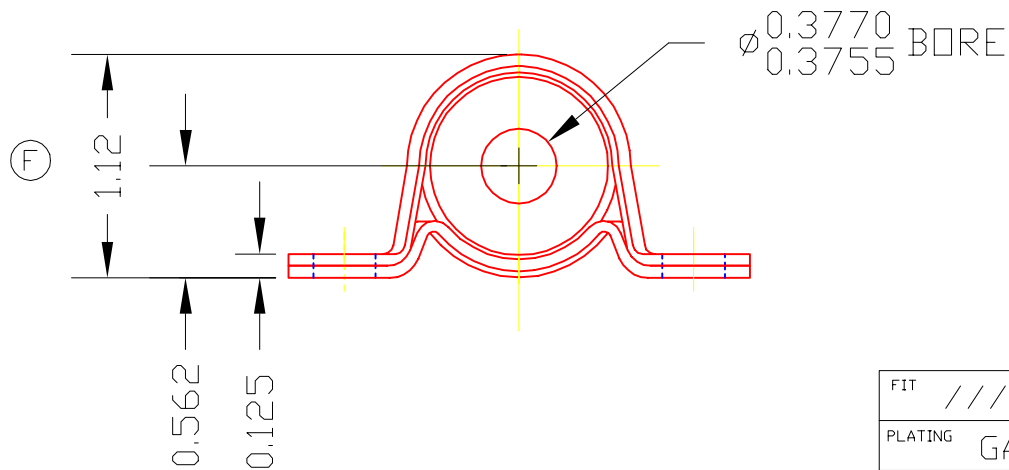


BD1406P

NOTE: ASSEMBLY TO FIT GAGE THAT HAS
.250 DIA. PINS ON 1.750±.001 CENTERS.
WITH BALL IN MOUNTING P\N-4006



SLOTS IN BASE & CONTAINER MAY
HAVE SLIGHT MISALIGNMENT IN THE
LONG DIRECTION. (D)



3	1406P	BALL ASS'Y	1
2	3688	STRAP	1
1	3687	BASE	1

DET	PART NUMBER	DESCRIPTION	AMT
-----	-------------	-------------	-----

A TRIANGLE MANUFACTURING CO.
OSHKOSH, WI.

NAME PILLOW BLOCK BEARING

USED IN ////

DATE 2-5-70	PART NO.
-------------	----------

DRAWN LML	BD1406P
CHECKED MJK	

SCALE 1 / 1

FIT	////
PLATING	GALV
MATERIAL	SEE DETAILS
ALL DIMS. ±.020 UNLESS OTHERWISE SPECIFIED	

CHANGE LEVEL	
F	01-20-06