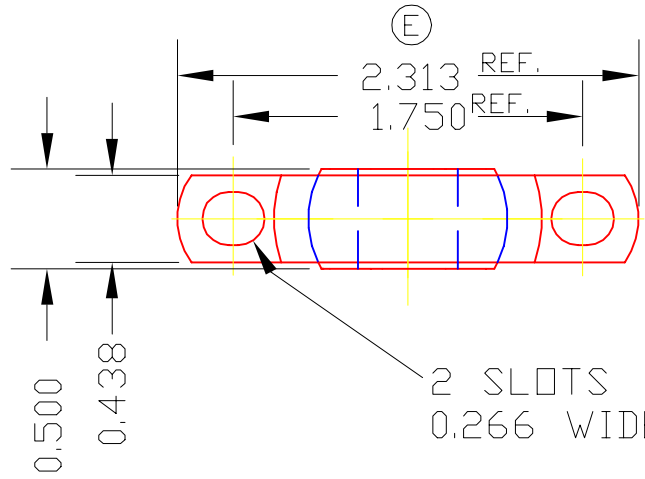
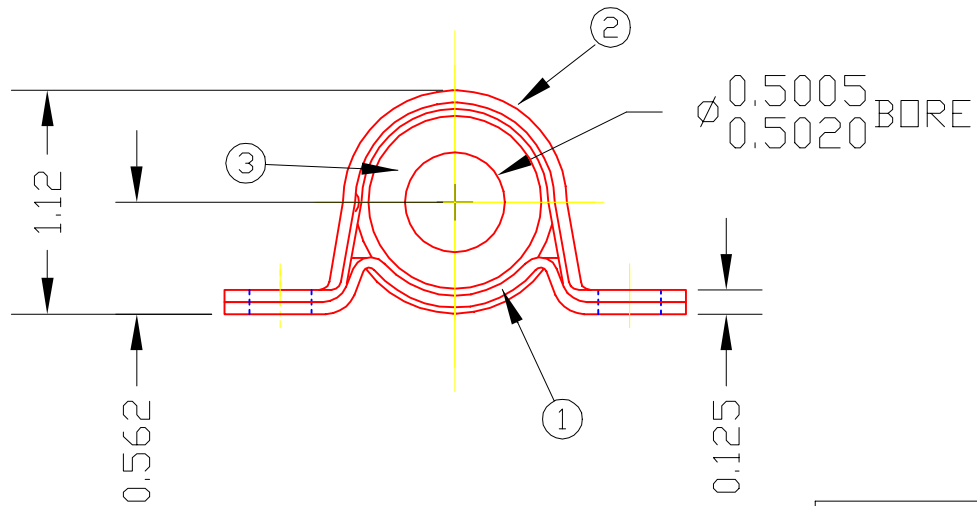


BD1408P

NOTE: ASSEMBLY TO FIT GAGE THAT HAS  
 .250 DIA. PINS ON 1.750±.001 CENTERS,  
 WITH BALL IN MOUNTING P\N-4006



SLOTS IN BASE & CONTAINER MAY  
 HAVE SLIGHT MISALIGNMENT IN THE  
 LONG DIRECTION. (D)



3	1408P	BALL ASS'Y	1
2	3688	STRAP	1
1	3687	BASE	1

DET	PART NUMBER	DESCRIPTION	AMT
-----	-------------	-------------	-----

▲ TRIANGLE MANUFACTURING CO.  
 OSHKOSH, WI.

NAME PILLLOW BLOCK BEARING

USED IN ////

DATE 2-4-70 PART NO.

DRAWN BW-88

CHECKED MJK

SCALE 1 / 1

FIT	////
PLATING	GALV
MATERIAL	GALV. S. & SINT. BRONZE
ALL DIMS. ±.020 UNLESS OTHERWISE SPECIFIED	

BD1408P

CHANGE LEVEL	
E	07-07-03