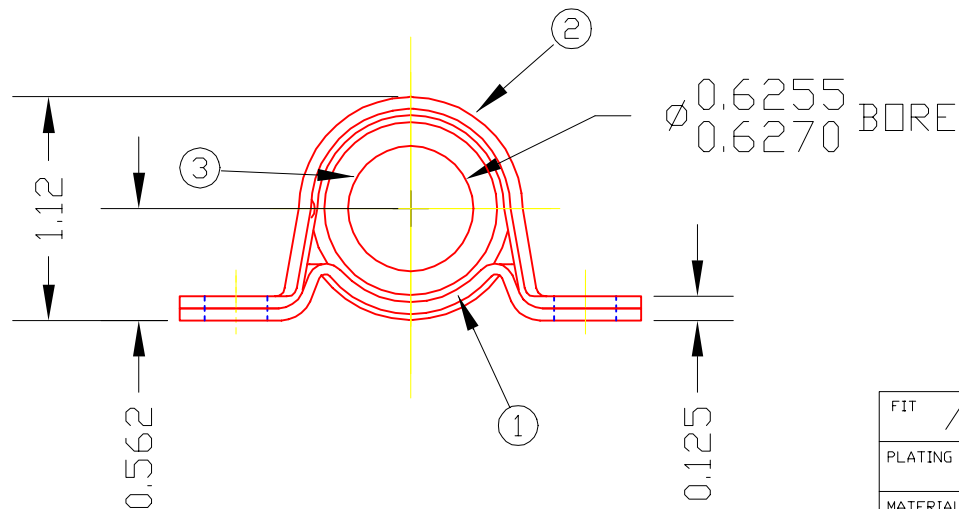
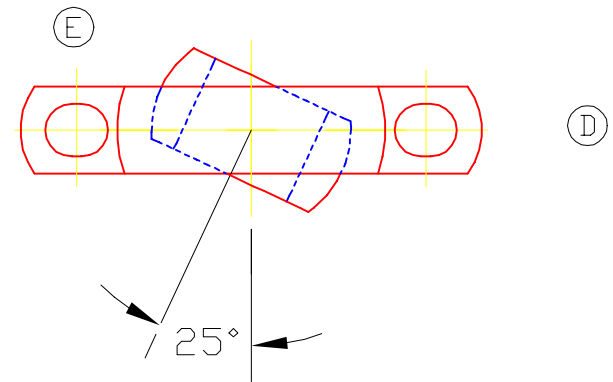
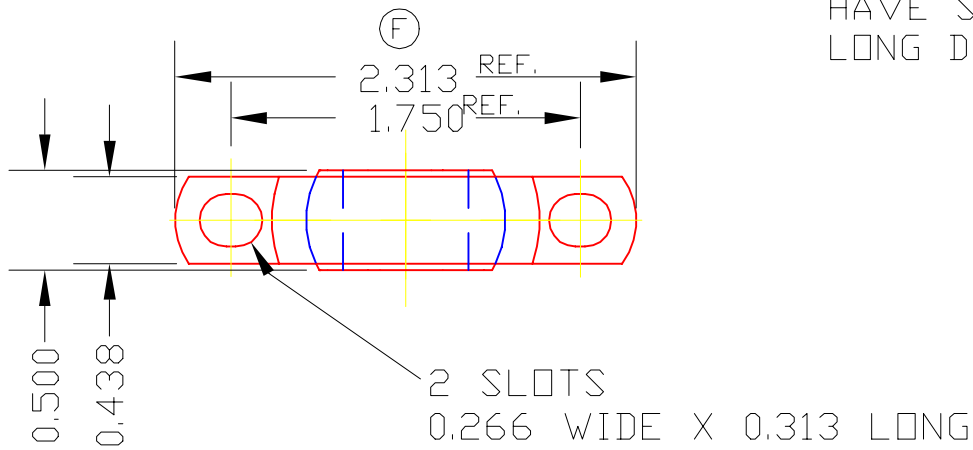


# BD1510P

NOTE: ASSEMBLY TO FIT GAGE THAT HAS  
 .250 DIA. PINS ON 1.750±.001 CENTERS.  
 WITH BALL IN MOUNTING P/N-4006

SLOTS IN BASE & CONTAINER MAY  
 HAVE SLIGHT MISALIGNMENT IN THE  
 LONG DIRECTION.



3	1510P	BALL ASS'Y	1
2	3688	STRAP	1
1	3687	BASE	1

DET	PART NUMBER	DESCRIPTION	AMT
-----	-------------	-------------	-----

▲ TRIANGLE MANUFACTURING CO.  
 OSHKOSH, WI.

NAME PILLOW BLOCK BEARING

USED IN ////

DATE	2-26-71	PART NO.
------	---------	----------

DRAWN	BW-88
-------	-------

CHECKED	MJK
---------	-----

SCALE	1 / 1
-------	-------

## BD1510P

CHANGE LEVEL	
F	07-07-03

FIT	////
PLATING	GALV
MATERIAL	GALV. S. & SINT. IRON
ALL DIMS. ±.020 UNLESS OTHERWISE SPECIFIED	