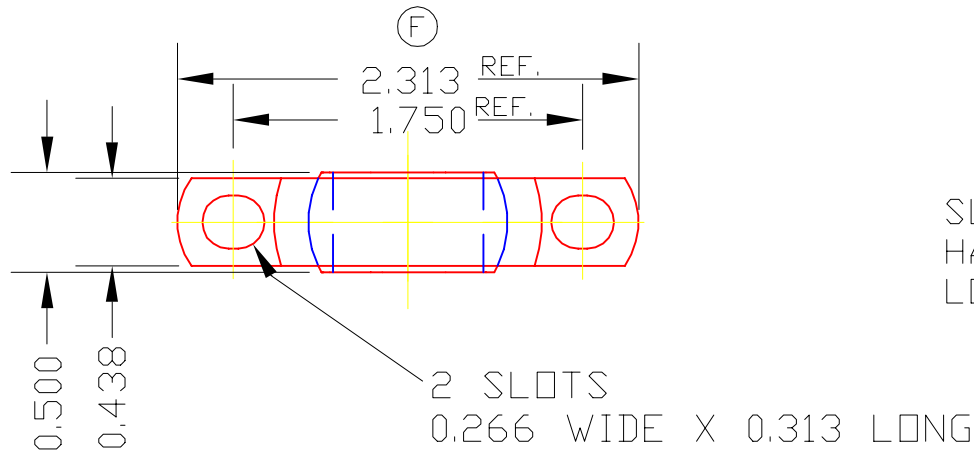
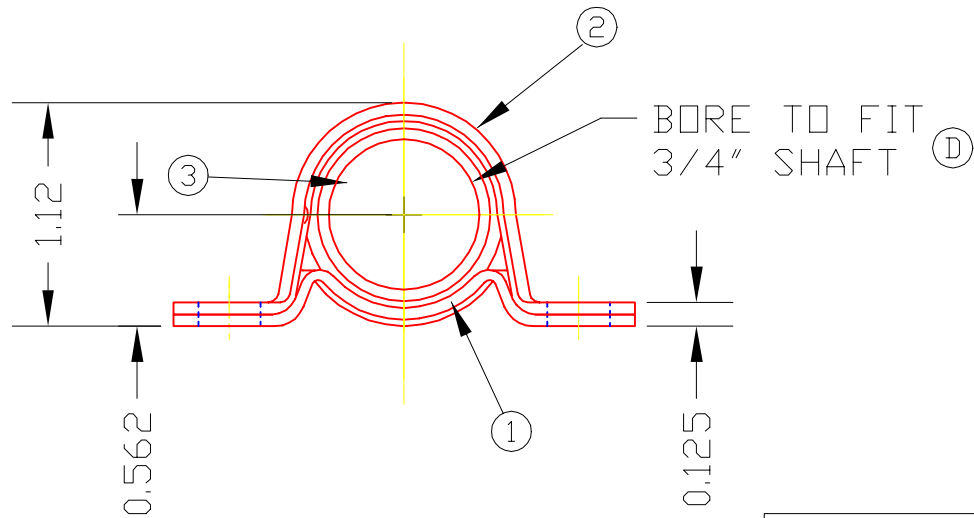


BDN12

NOTE: ASSEMBLY TO FIT GAGE THAT HAS  
.250 DIA. PINS ON 1.750±.001 CENTERS.  
WITH BALL IN MOUNTING PAN-4006



SLOTS IN BASE & CONTAINER MAY  
HAVE SLIGHT MISALIGNMENT IN THE  
LONG DIRECTION. (E)



3	N12	BALL ASS'Y	1
2	3688	STRAP	1
1	3687	BASE	1
DET	PART NUMBER	DESCRIPTION	AMT

A TRIANGLE MANUFACTURING CO.  
OSHKOSH, WI.

NAME PILLLOW BLOCK BEARING

USED IN ////

DATE 2-4-70

PART NO.

DRAWN BW-88

CHECKED MJK

SCALE 1 / 1

BDN12

FIT	////
PLATING	GALV
MATERIAL	SEE DETAILS
ALL DIMS.	±.020 UNLESS OTHERWISE SPECIFIED

CHANGE LEVEL	
F	07-07-03