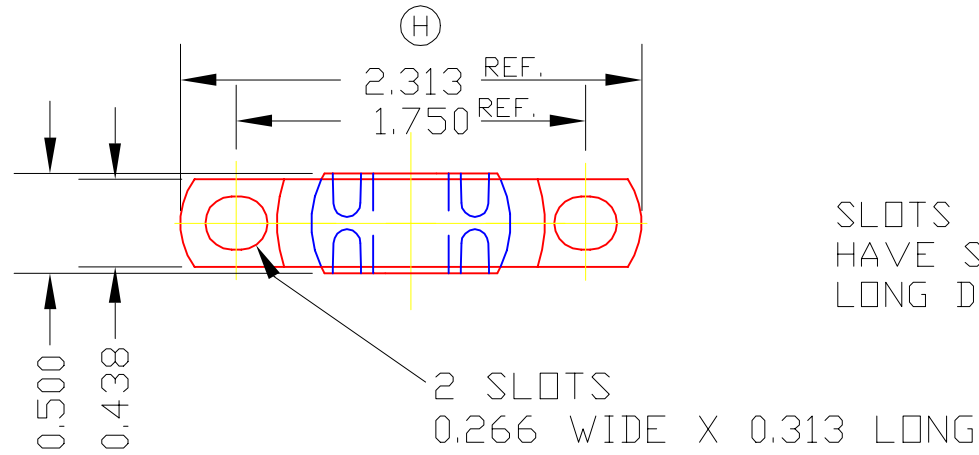
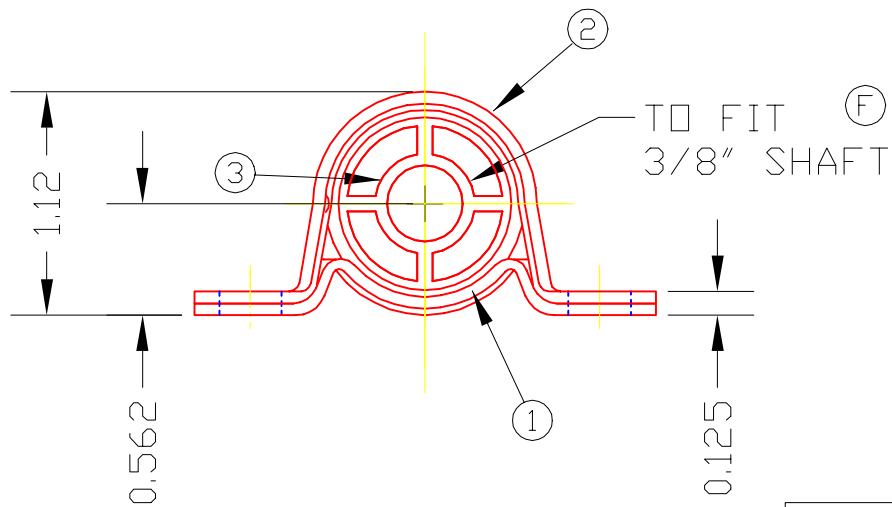


BDN6

NOTE: ASSEMBLY TO FIT GAGE THAT HAS
 .250 DIA. PINS ON 1.750±.001 CENTERS.
 WITH BALL IN MOUNTING P\N-4006



SLOTS IN BASE & CONTAINER MAY
 HAVE SLIGHT MISALIGNMENT IN THE
 LONG DIRECTION. (G)



3	N6	BALL ASS'Y	1
2	3688	STRAP	1
1	3687	BASE	1

DET	PART NUMBER	DESCRIPTION	AMT
-----	-------------	-------------	-----

A TRIANGLE MANUFACTURING CO.
 OSHKOSH, WI.

NAME PILLOW BLOCK BEARING

USED IN ////

DATE 1-27-70 PART NO.

DRAWN BW-88

CHECKED MJK

SCALE 1 / 1

FIT	////
PLATING	GALV
MATERIAL	SEE DETAILS
ALL DIMS.	±.020 UNLESS OTHERWISE SPECIFIED

BDN6

CHANGE LEVEL	
H	07-07-03