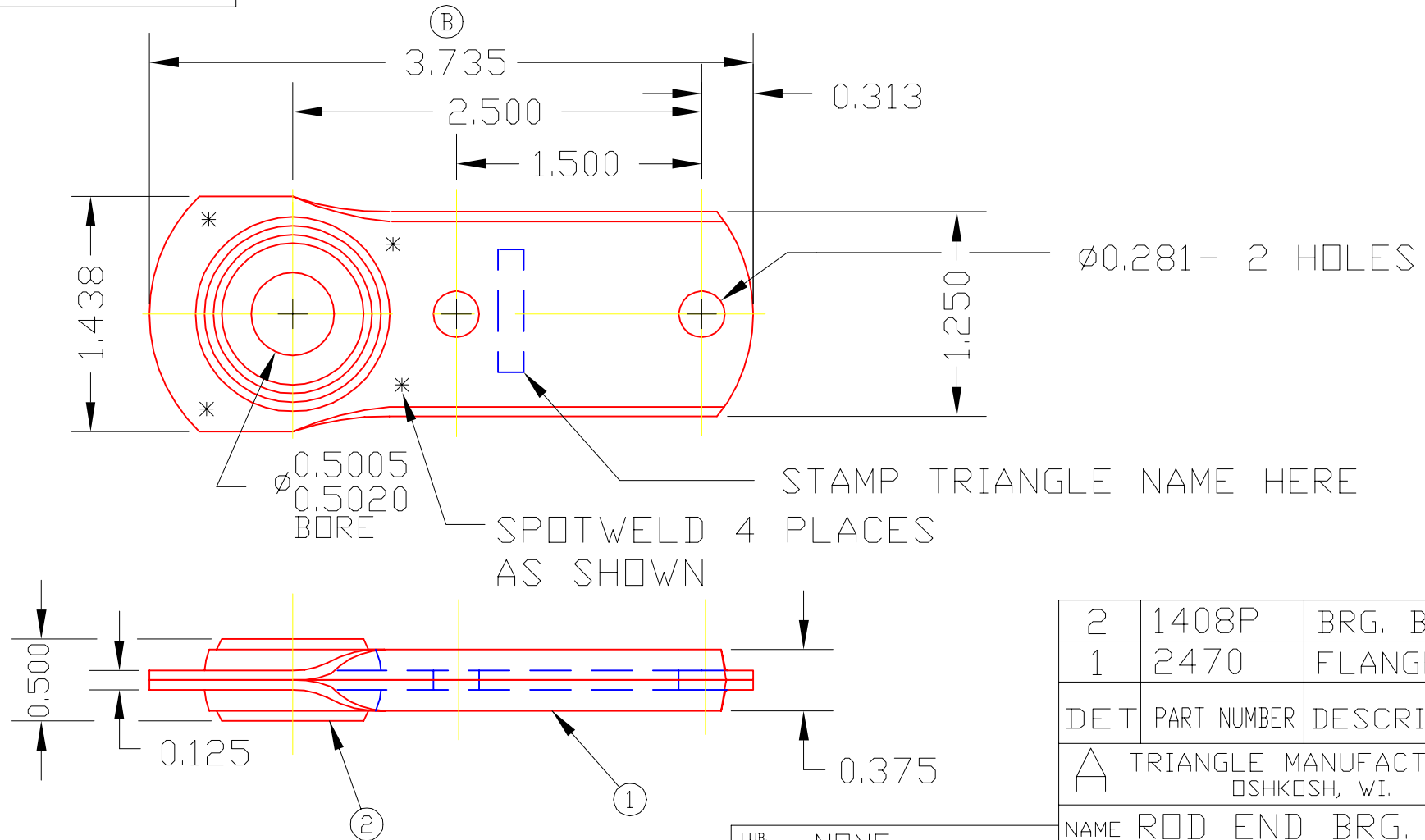


CD1408P



2	1408P	BRG. BALL	1
1	2470	FLANGE	2
DET	PART NUMBER	DESCRIPTION	AMT

▲ TRIANGLE MANUFACTURING CO.
OSHKOSH, WI.

NAME ROD END BRG. ASS'Y

USED IN CD SERIES

DATE 8-2-71 PART NO.

DRAWN BW-88

CHECKED SP

SCALE 1 / 1

CD1408P

LUB.	NONE
PLATING	GALV.
MATERIAL	C.R.S. & SINT. BRONZE
ALL DIMS. ±.020 UNLESS OTHERWISE SPECIFIED	

CHANGE LEVEL	
C	01-07-98