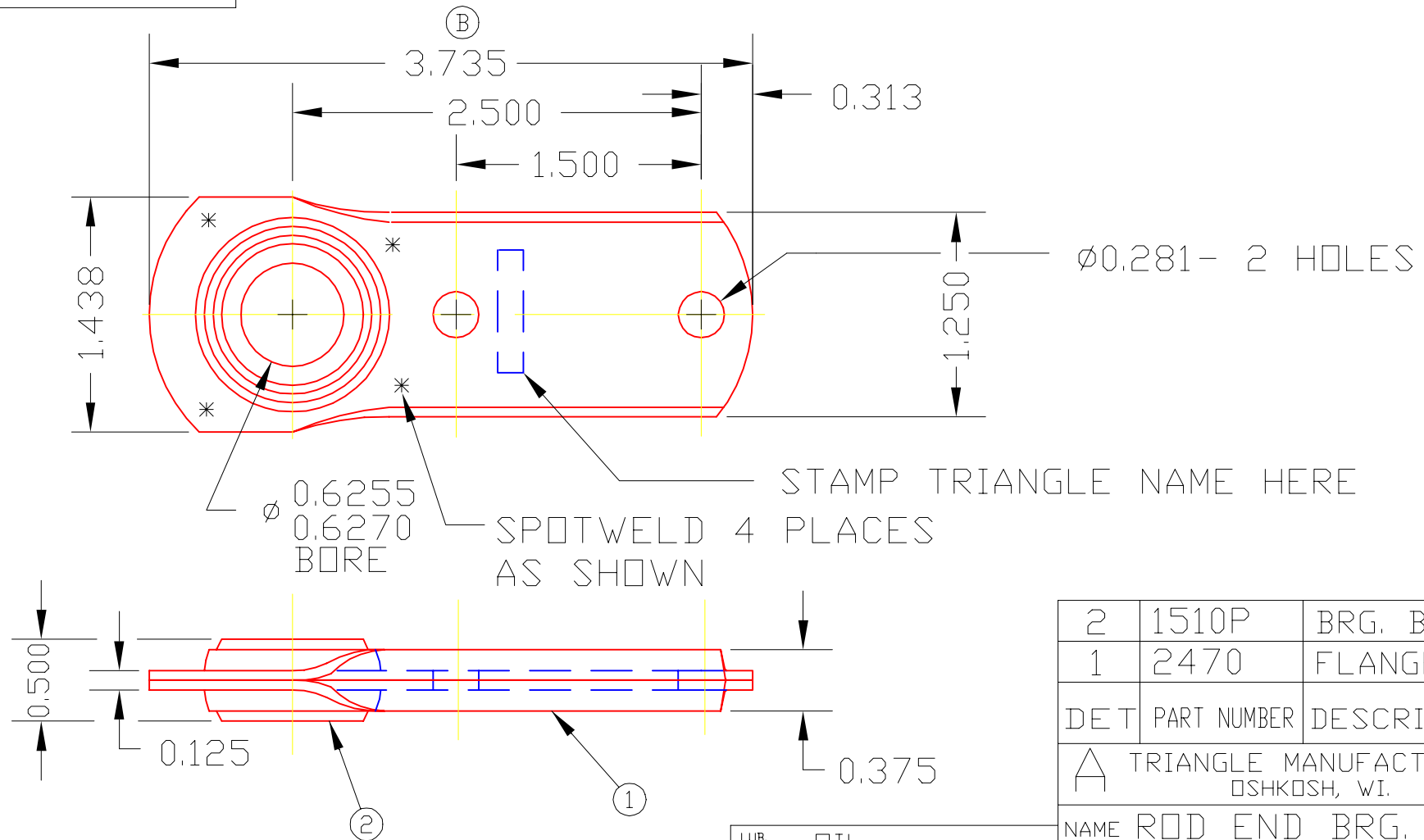


CD1510P



2	1510P	BRG. BALL	1
1	2470	FLANGE	2
DET	PART NUMBER	DESCRIPTION	AMT

A TRIANGLE MANUFACTURING CO.  
OSHKOSH, WI.

NAME ROD END BRG. ASS'Y

USED IN CD SERIES

DATE 9-29-73 PART NO.

DRAWN BW-88

CHECKED SP

SCALE 1 / 1

CD1510P

LUB.	OIL
PLATING	GALV.
MATERIAL	C.R.S. & SINT. IRON
ALL DIMS. ±.020 UNLESS OTHERWISE SPECIFIED	

CHANGE LEVEL
C 01-07-98