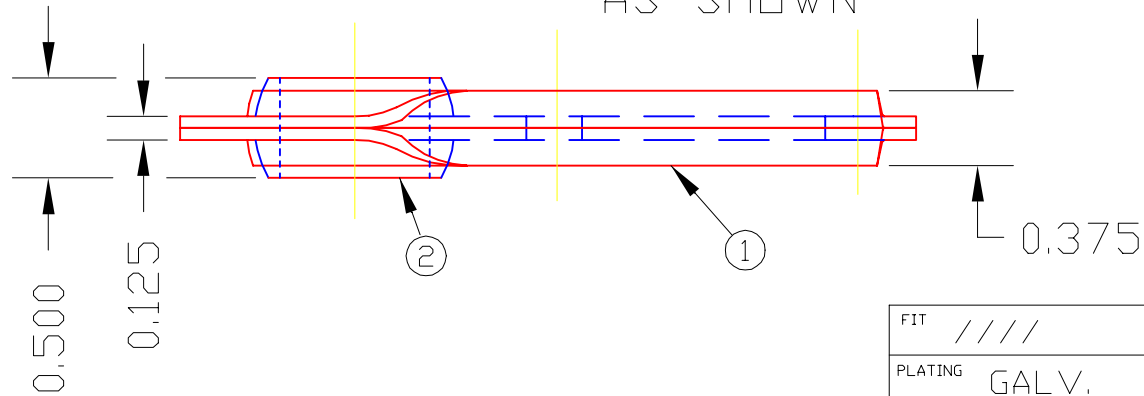
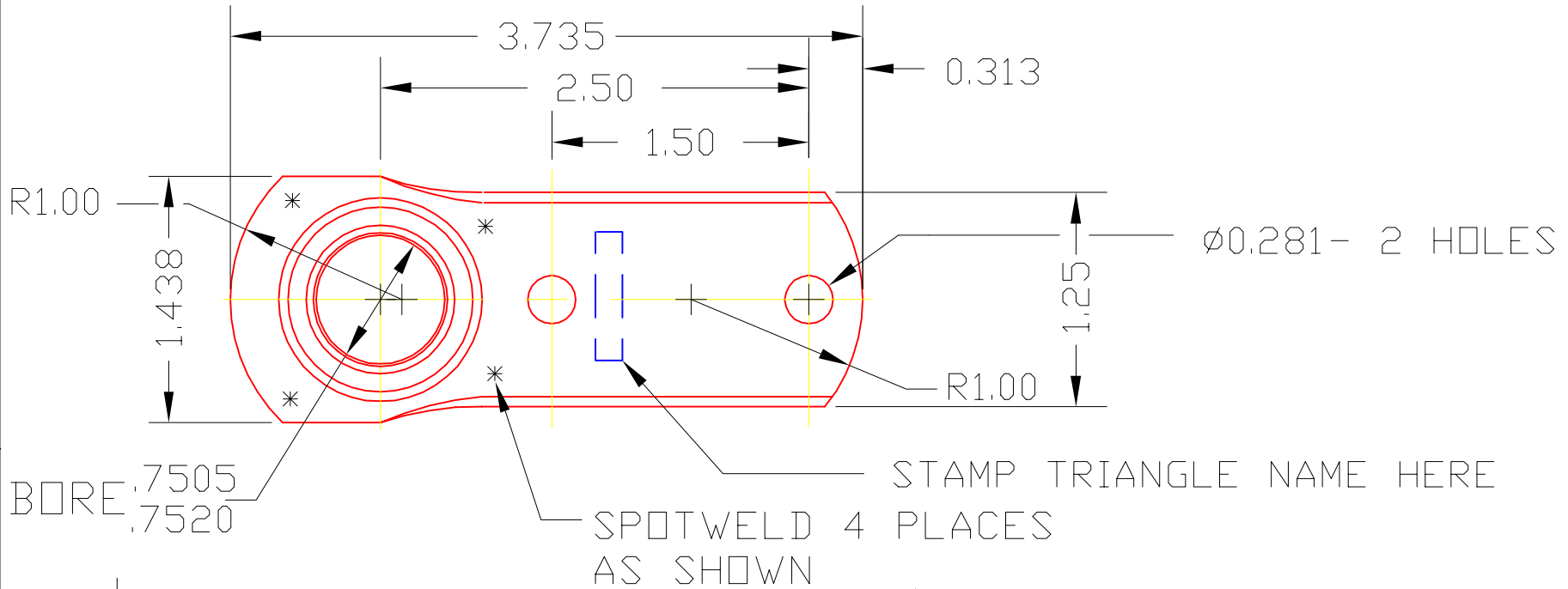


CD1512P



2	1512P	BRG. BALL	1
1	2470	FLANGE	2
DET	PART NUMBER	DESCRIPTION	AMT

▲ TRIANGLE MANUFACTURING CO.  
OSHKOSH, WI.

NAME ROD END BRG. ASS'Y	
USED IN CD SERIES	
DATE 07-23-98	PART NO.
DRAWN DR	CD1512P
CHECKED DR	
SCALE 1 / 1	

FIT	////
PLATING	GALV.
MATERIAL	SEE DET.
ALL DIMS. ±.020 UNLESS OTHERWISE SPECIFIED	

CHANGE LEVEL	////
--------------	------