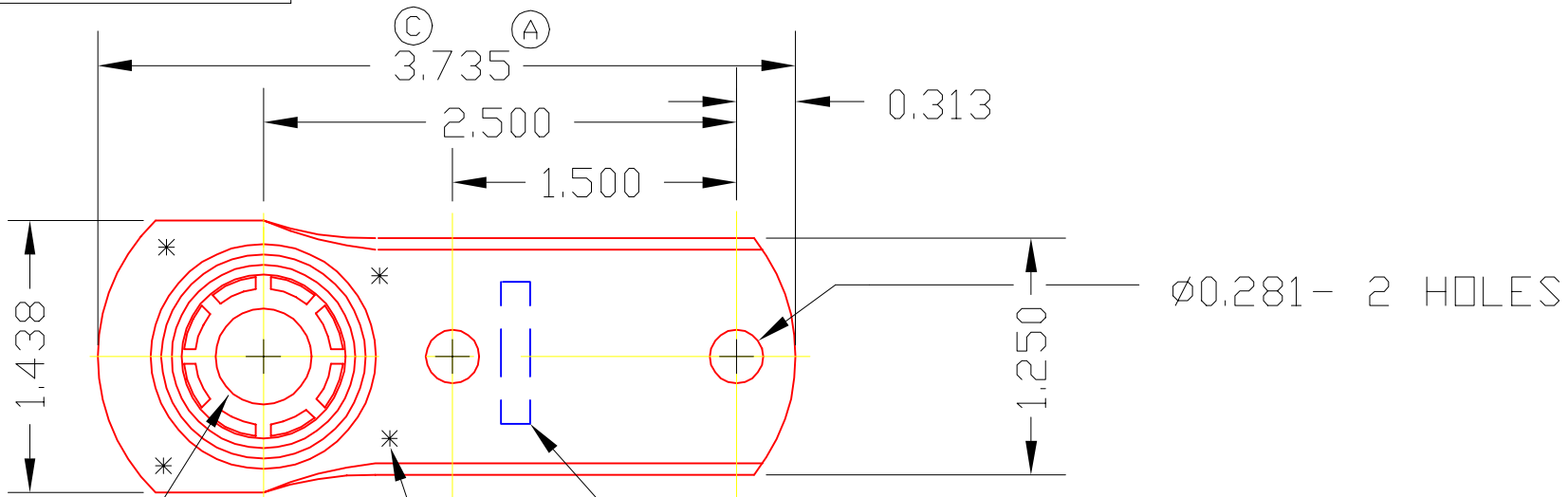


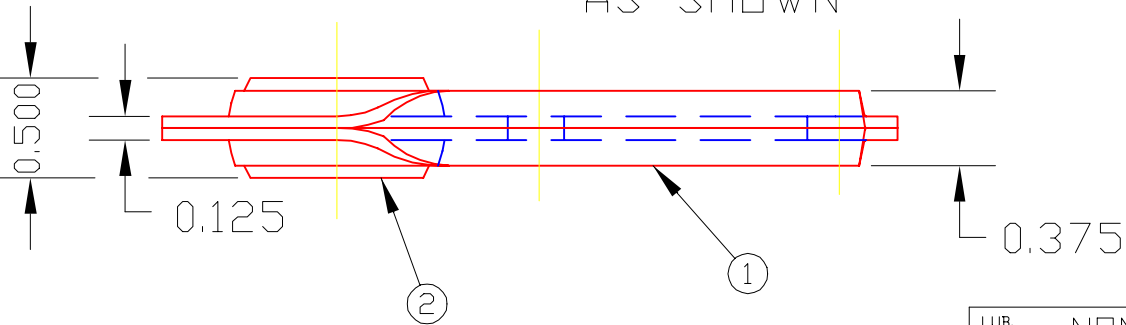
CDN8



TO FIT (E)
1/2" SHAFT.

SPOTWELD 4 PLACES
AS SHOWN

STAMP TRIANGLE NAME HERE



2	N8	BRG. BALL	1
1	2470	FLANGE	2
DET	PART NUMBER	DESCRIPTION	AMT

TRIANGLE MANUFACTURING CO.
OSHKOSH, WI.

NAME ROD END BRG. ASS'Y

USED IN CD SERIES

DATE 9-11-62

PART NO.

DRAWN BW-88

CHECKED SP

SCALE 1 / 1

CDN8

LUB. NONE

PLATING GALV.

MATERIAL SEE DET.

ALL DIMS. ±.020 UNLESS OTHERWISE SPECIFIED

CHANGE LEVEL	
E	04-22-02