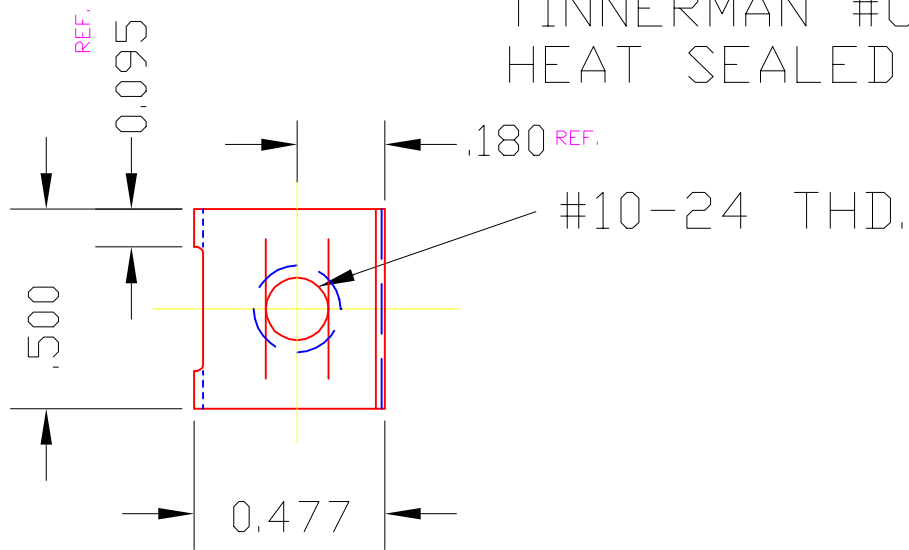
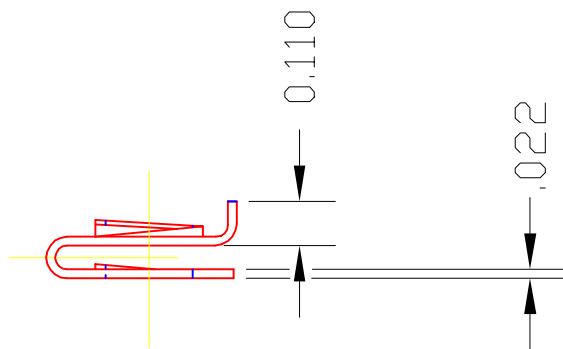


SN100

ONE HUNDRED PIECES
 TINNERMAN #C7674-1024-4
 HEAT SEALED IN PLASTIC BAG



FOR PANELS .036 TO .050
 THICK, WITH 9/32 HOLE,
 1/4 FROM EDGE.



WE ARE FLEXIBLE ON
 THE PLATING WITH PRIOR
 NOTICE.

FIT	////
PLATING	PHOSPHATE & OIL
MATERIAL	PURCHASE
ALL DIMS ±.020 UNLESS SPECIFIED	

DET PART NUMBER	DESCRIPTION	AMT
A	TRIANGLE MANUFACTURING CO. OSHKOSH, WI.	
NAME SPEED NUT		
USED IN ////		
DATE	10-30-90	PART NO. SN100
DRAWN	SP	
CHECKED	SP	
SCALE	2-1	

CHANGE LEVEL
C 06-03-08