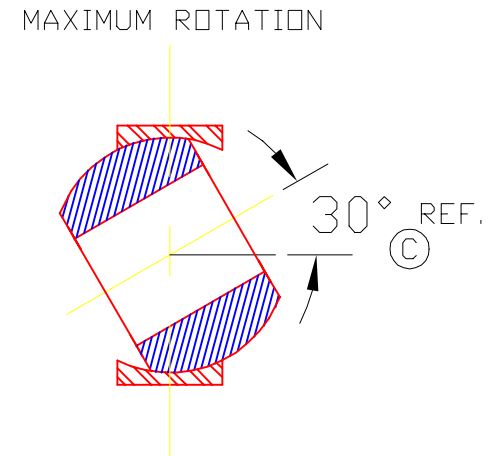
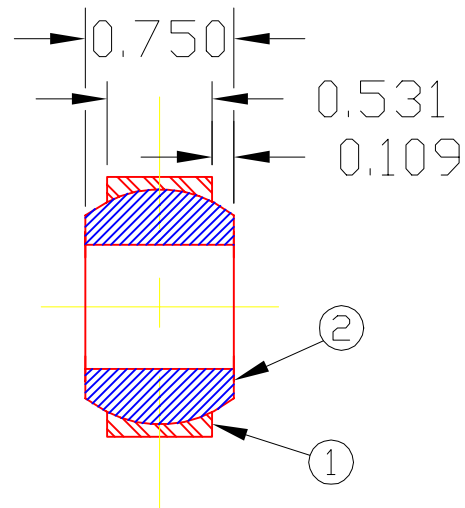
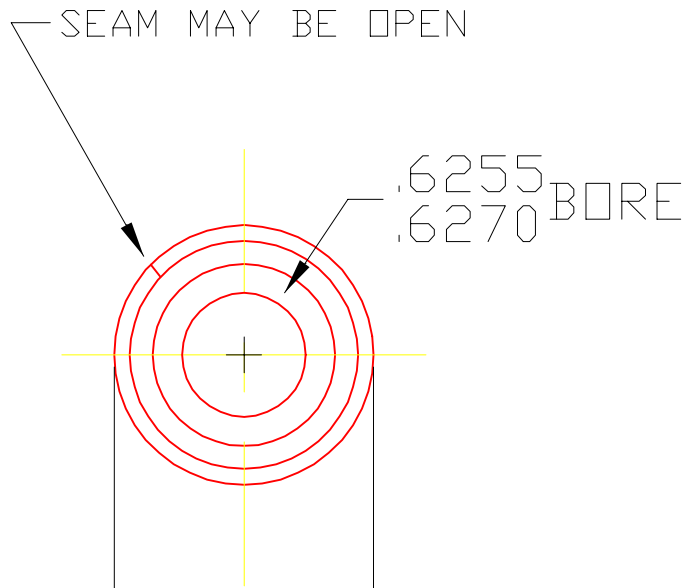


HDB10

STAMPED WITH TRIANGLE
NAME STAMP



MINIMUM OF (200 LBS.)
PRESS FIT IN 1.3125
DIA. HOLE.

2	B10	BRG. BALL	1
1	3802-B	RETAINER	1
DET	PART NUMBER	DESCRIPTION	AMT
A TRIANGLE MANUFACTURING CO. OSHKOSH, WI.			
NAME BALL BUSHING ASS'Y.			
USED IN HD -SERIES			
DATE 10-23-68		PART NO.	
DRAWN DR\96		HDB10	
CHECKED DR			
SCALE 1 / 1			

(A)

FIT SNUG	
PLATING	GALV.
MATERIAL	SEE DET.
ALL DIMS. ±.020 UNLESS OTHERWISE SPECIFIED	

CHANGE LEVEL
D 03-12-07