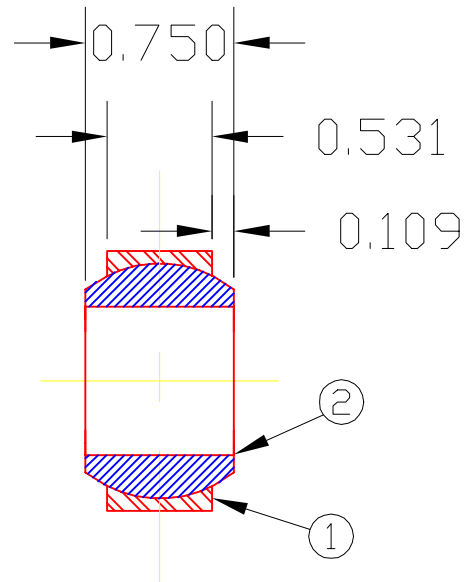
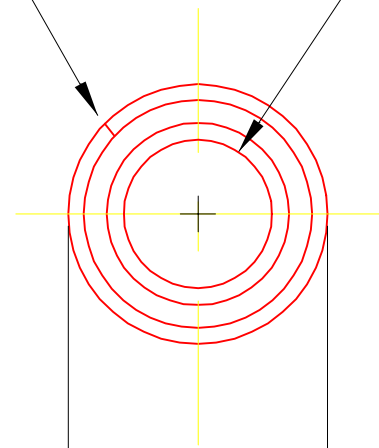


HDB12

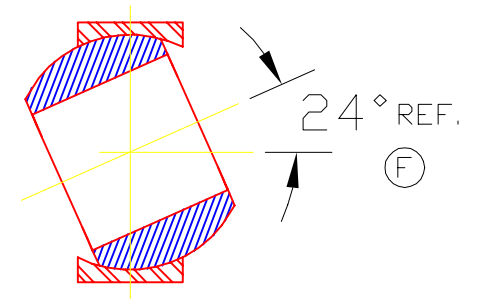
STAMPED WITH TRIANGLE
NAME STAMP

SEAM MAY BE OPEN

.7520
.7505 BORE



MAXIMUM ROTATION



MINIMUM OF (200 LBS.)
PRESS FIT IN 1.3125
DIA. HOLE.

2	B12	BRG. BALL	1
1	3802-B	RETAINER	1
DET	PART NUMBER	DESCRIPTION	AMT

TRIANGLE MANUFACTURING CO.
OSHKOSH, WI.

NAME BALL BUSHING ASS'Y.

USED IN HD -SERIES

DATE 10-23-68 PART NO.

DRAWN SP

CHECKED SP

SCALE 1 / 1

HDB12

(A)

(C)

FIT	LIGHT DRAG - SNUG
PLATING	GALV.
MATERIAL	SEE DET.
ALL DIMS. ±.020 UNLESS OTHERWISE SPECIFIED	

CHANGE LEVEL

G 03-12-07