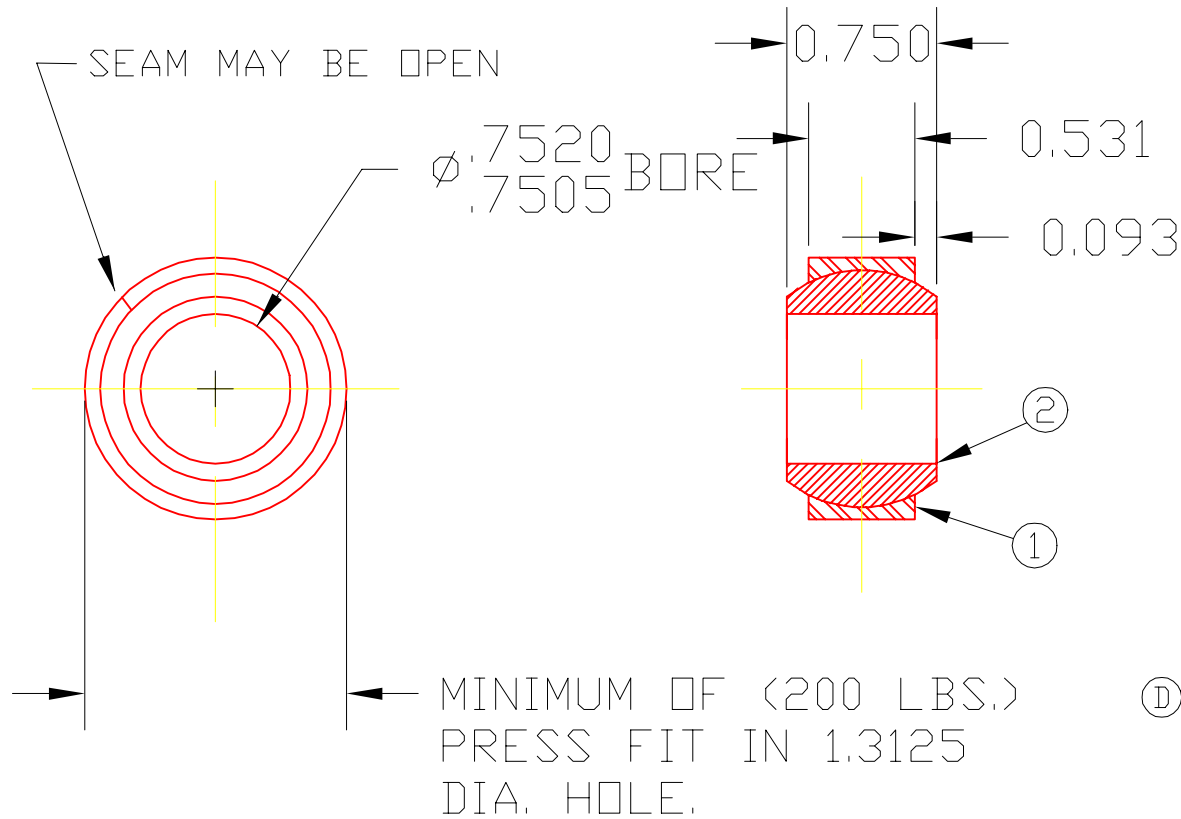


HDW12

STAMPED WITH TRIANGLE
NAME STAMP



2	W12	BRG. BALL	1
1	3802-B	RETAINER	1
DET	PART NUMBER	DESCRIPTION	AMT

A TRIANGLE MANUFACTURING CO.
OSHKOSH, WI.

NAME BALL BUSHING ASS'Y.

USED IN HD - SERIES

DATE 10-23-68

PART NO.

DRAWN SP

CHECKED SP

SCALE 1 / 1

HDW12

B A

FIT LIGHT DRAG - SNUG

PLATING GALV.

MATERIAL SEE DET.

ALL DIMS. $\pm .020$ UNLESS OTHERWISE SPECIFIED

CHANGE LEVEL

F 03-12-07