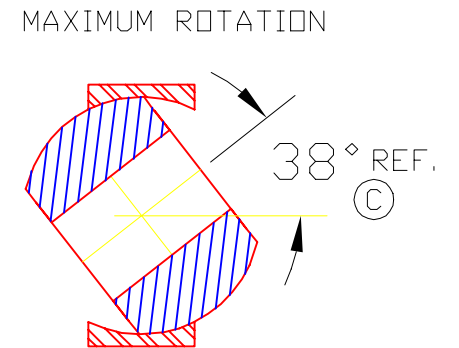
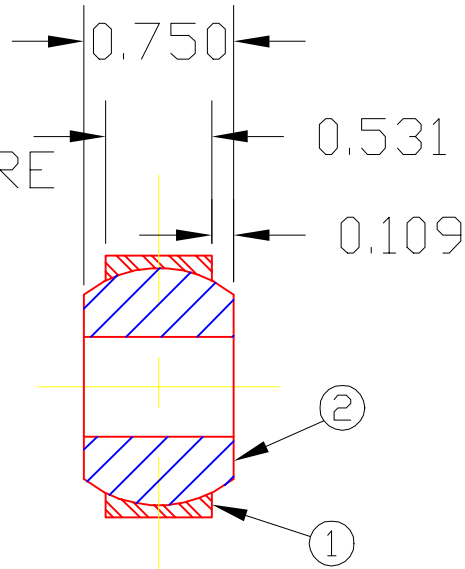
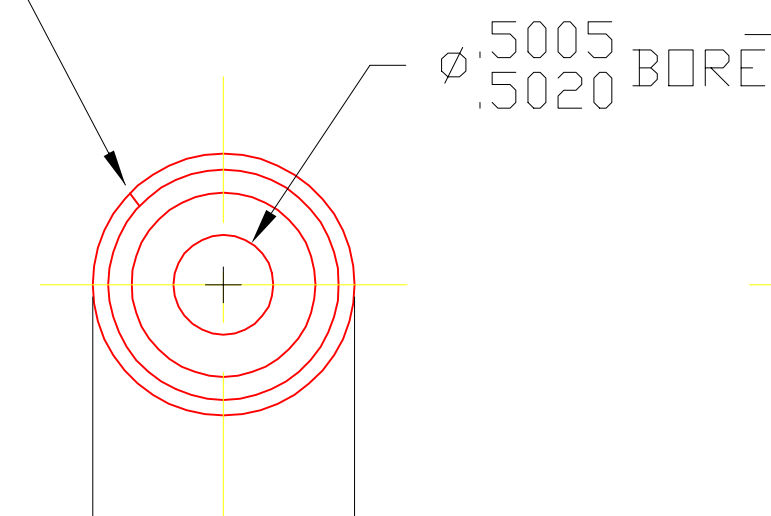


HDW8

SEAM MAY BE OPEN



MINIMUM OF (200 LBS.)
PRESS FIT IN 1.3125
DIA. HOLE.

2	W8	BRG. BALL	1
1	3802	RETAINER	1
DET	PART NUMBER	DESCRIPTION	AMT

△ TRIANGLE MANUFACTURING CO.
OSHKOSH, WI.

NAME BALL BUSHING ASS'Y.

USED IN HD - SERIES

DATE 2-5-87

PART NO.

DRAWN SP

CHECKED MJK

SCALE 1 / 1

HDW8

(A)

FIT	LIGHT DRAG - SNUG
PLATING	GALV.
MATERIAL	SEE DET.
ALL DIMS. ±.020 UNLESS OTHERWISE SPECIFIED	

CHANGE LEVEL
C 01-03-02

STAMPED WITH TRIANGLE
NAME STAMP