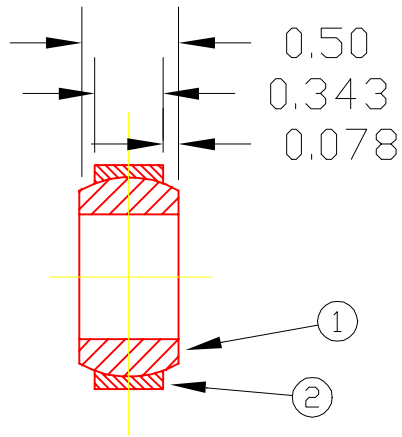


HE1410P

STAMPED WITH TRIANGLE
NAME STAMP

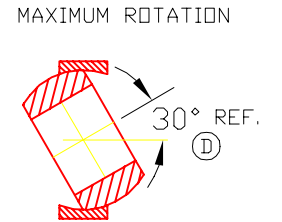
SEAM MAY BE OPEN

∅ 0.6270
∅ 0.6255
BORE



MINIMUM OF (200 LBS.)
PRESS FIT IN 1.125
DIA. HOLE.

CUSTOMER REFERENCE NOTE: The recommended tolerance for the diameter of the mounting hole into which the ball bushing ^(E) is pressed is +0.000", -0.001". The press fit will increase with a decrease in hole diameter. Freedom of movement of the spherical bushing in it's retainer may decrease as the press fit increases.



2	1410P	BRG. BALL	1
1	4014	RETAINER	1
DET	PART NUMBER	DESCRIPTION	AMT

^(A) TRIANGLE MANUFACTURING CO.
OSHKOSH, WI.

NAME BALL & RET. ASS'Y

USED IN HE SERIES

DATE 9-1-75

PART NO.

DRAWN LML

CHECKED SP

SCALE 1 / 1

HE1410P

^(A)

^(B) FIT LIGHT DRAG - SNUG

PLATING ELECTRO-ZINC

MATERIAL SEE DETAILS

ALL DIMS ±.02 UNLESS SPECIFIED

CHANGE LEVEL
E 12-10-03