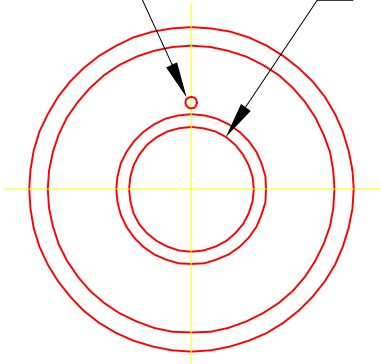
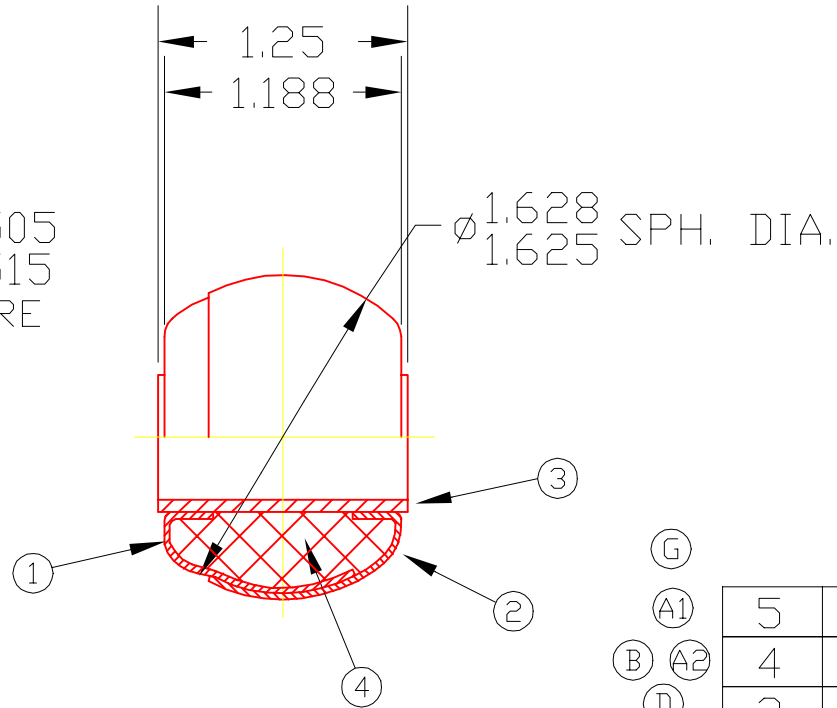


D12P

PIERCED VENT HOLE



∅ 0.7505
0.7515
BORE



- Ⓒ
- Ⓐ
- Ⓑ Ⓐ
- Ⓓ
- Ⓕ Ⓔ

5	L-1	OIL	4.0
4	4079-7	FELT	1
3	1035-8	BUSHING	1
2	1552-4	OUTSIDE SHELL	1
1	1551-2	INSIDE SHELL	1

DET	PART NUMBER	DESCRIPTION	AMT
-----	-------------	-------------	-----

△ TRIANGLE MANUFACTURING CO.
OSHKOSH, WI.

NAME BRG. BALL, STAMPED

USED IN D SERIES

DATE 2-20-64 PART NO.

DRAWN LML

CHECKED SP

SCALE 1 / 1

D12P

FIT	////
PLATING	////
MATERIAL	SEE DETAILS
ALL DIMS ±.02 UNLESS SPECIFIED	

CHANGE LEVEL
G 08-17-04