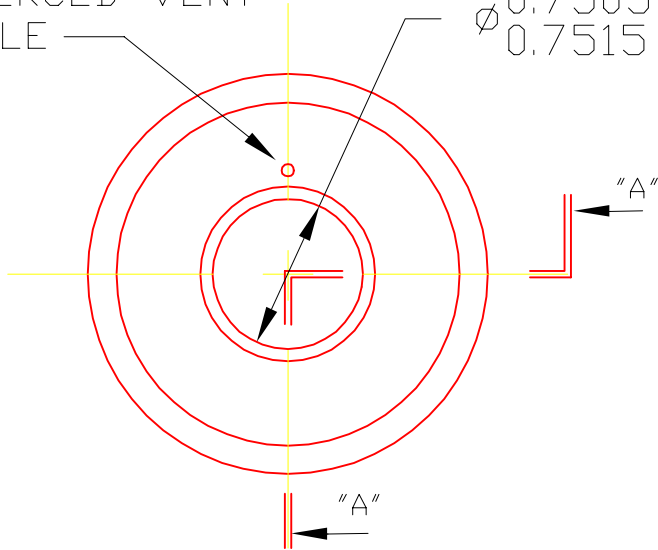


E12P

PIERCED VENT HOLE

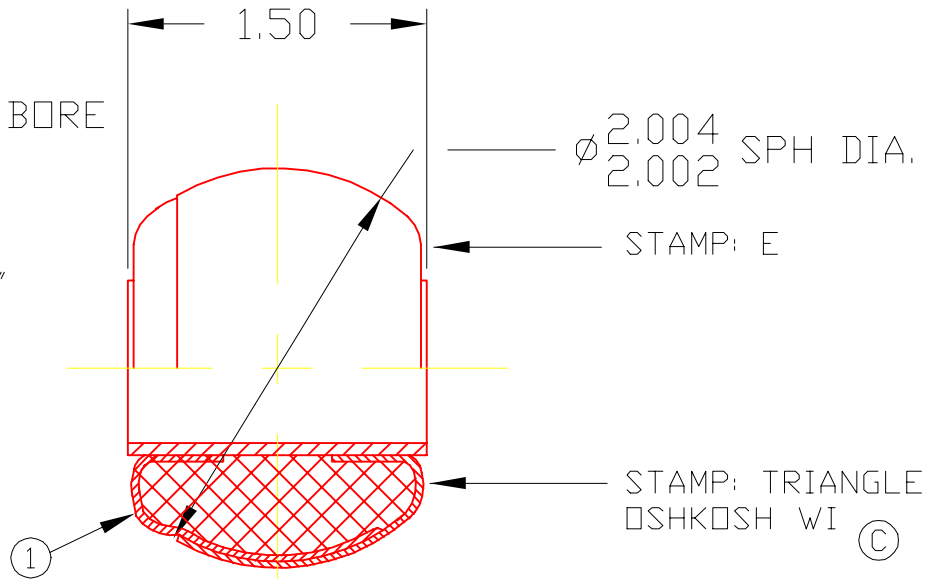
∅ 0.7505
0.7515 BORE



1.50

∅ 2.004
2.002 SPH DIA.

STAMP: E



STAMP: TRIANGLE
OSHKOSH WI ©

SECTION "A-A"

①	1	7538	BRG. BALL, STAMPED	1
---	---	------	--------------------	---

DET	PART NUMBER	DESCRIPTION	AMT
		△ TRIANGLE MANUFACTURING CO. OSHKOSH, WI.	
		NAME BRG. BALL, STAMPED	
		USED IN E SERIES	
	DATE 12-29-61	PART NO.	
	DRAWN LML		
	CHECKED MJK		
	SCALE 1 / 1		

△ TRIANGLE MANUFACTURING CO.
OSHKOSH, WI.

NAME BRG. BALL, STAMPED

USED IN E SERIES

DATE 12-29-61 PART NO.

DRAWN LML

CHECKED MJK

SCALE 1 / 1

E12P

FIT	////
PLATING	////
MATERIAL	SEE DETAILS
ALL DIMS.	±.020 UNLESS OTHERWISE SPECIFIED

CHANGE LEVEL	
D	09-30-04