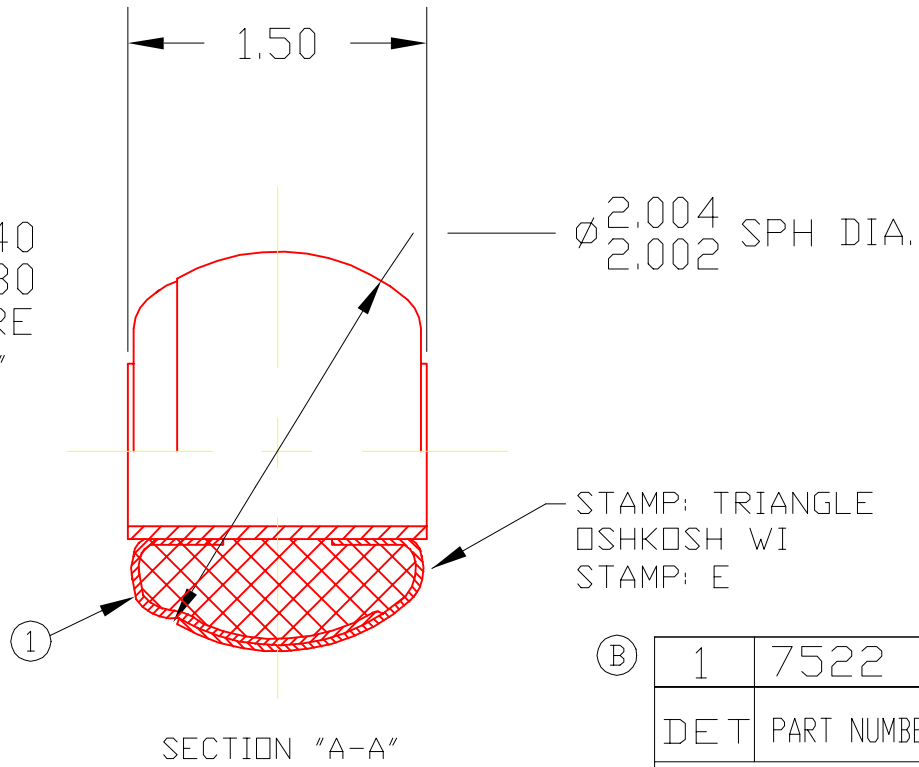
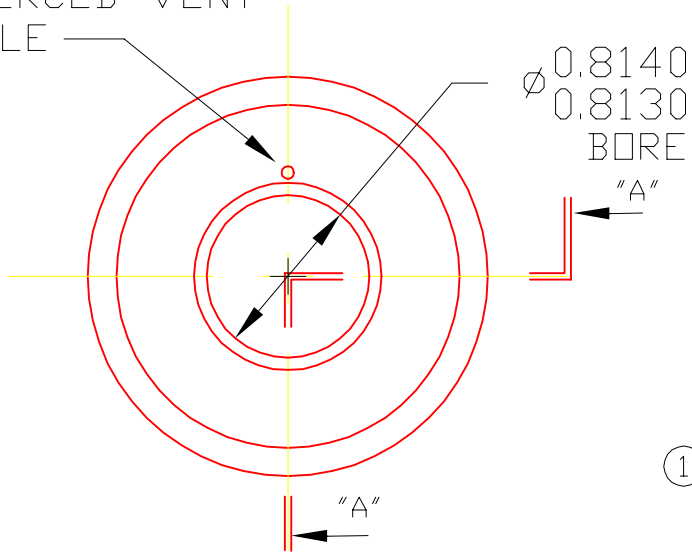


E13P

PIERCED VENT
HOLE



1	7522	BRG. BALL ASS'Y	1
---	------	-----------------	---

DET	PART NUMBER	DESCRIPTION	AMT
-----	-------------	-------------	-----

A TRIANGLE MANUFACTURING CO.
 OSHKOSH, WI.

NAME BRG. BALL, STAMPED

USED IN E SERIES

DATE 3-2-95

PART NO.

DRAWN DR

CHECKED DR

SCALE 1 / 1

E13P

FIT	////
PLATING	////
MATERIAL	SEE DETAILS
ALL DIMS. ± 0.020 UNLESS OTHERWISE SPECIFIED	

CHANGE LEVEL	
B	03-02-95