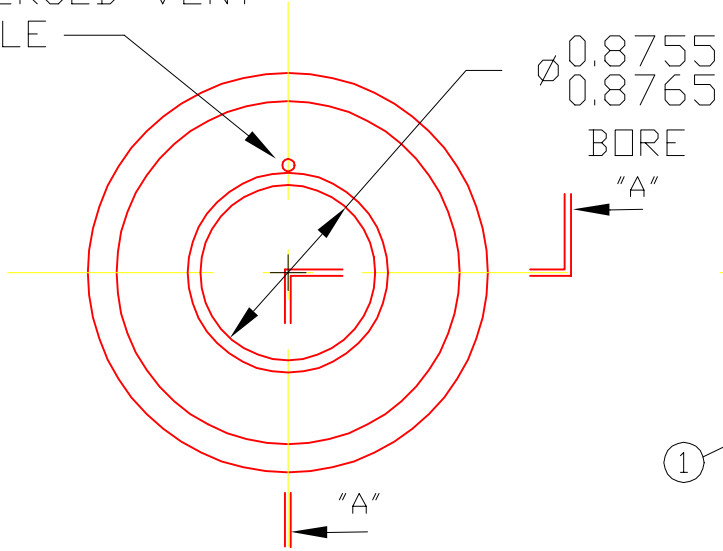
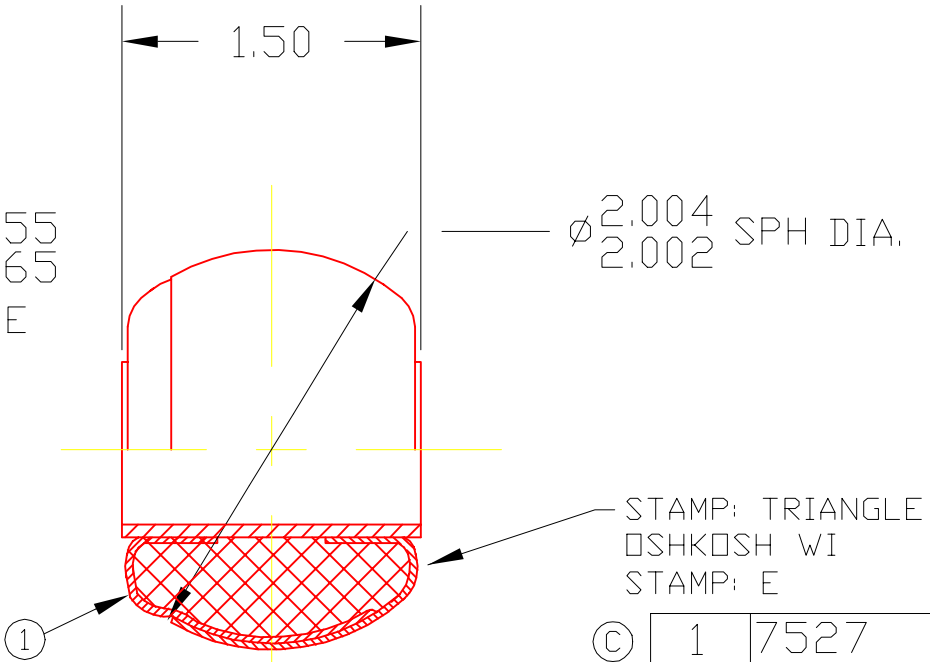


E14P

PIERCED VENT HOLE



1.50



SECTION "A-A"

1	7527	BRG. BALL STAMPED	1
---	------	-------------------	---

DET PART NUMBER DESCRIPTION AMT

A TRIANGLE MANUFACTURING CO.
 OSHKOSH, WI.

NAME BRG. BALL, STAMPED

USED IN E SERIES

DATE 12-29-61 PART NO.

DRAWN LML

CHECKED SP

SCALE 1 / 1

E14P

FIT	////
PLATING	////
MATERIAL	SEE DETAILS
ALL DIMS.	±.020 UNLESS OTHERWISE SPECIFIED

CHANGE LEVEL	
D	09-30-04