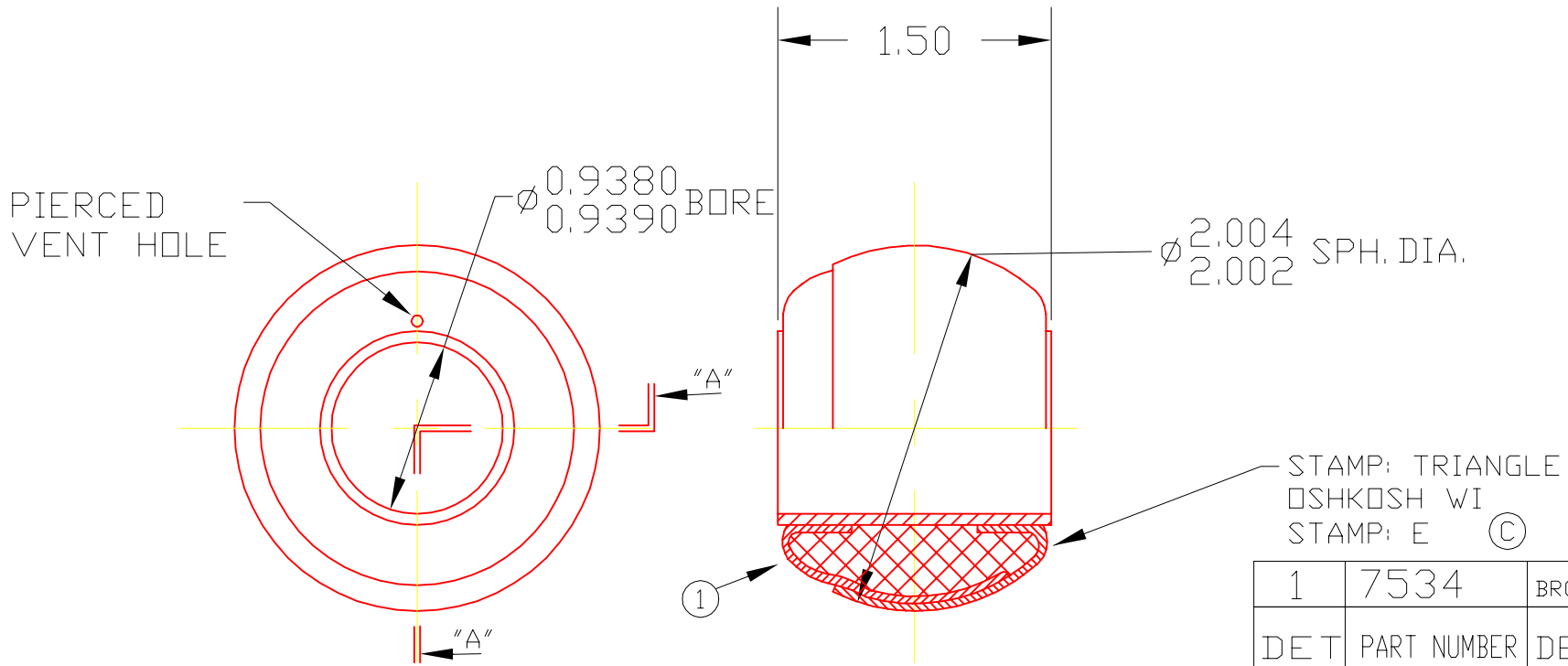


E15P



STAMP: TRIANGLE
OSHKOSH WI
STAMP: E ©

SECTION "A-A"

1	7534	BRG. BALL STAMPED	1
DET	PART NUMBER	DESCRIPTION	AMT

△ TRIANGLE MANUFACTURING CO.
OSHKOSH, WI.

NAME BRG. BALL, STAMPED

USED IN E SERIES

DATE 12-29-61 PART NO.

DRAWN LML

CHECKED SP

SCALE 1 / 1

E15P

CHANGE LEVEL	
C	02-19-02

FIT	////
PLATING	////
MATERIAL	SEE DETAILS
ALL DIMS. ± 0.020 UNLESS OTHERWISE SPECIFIED	