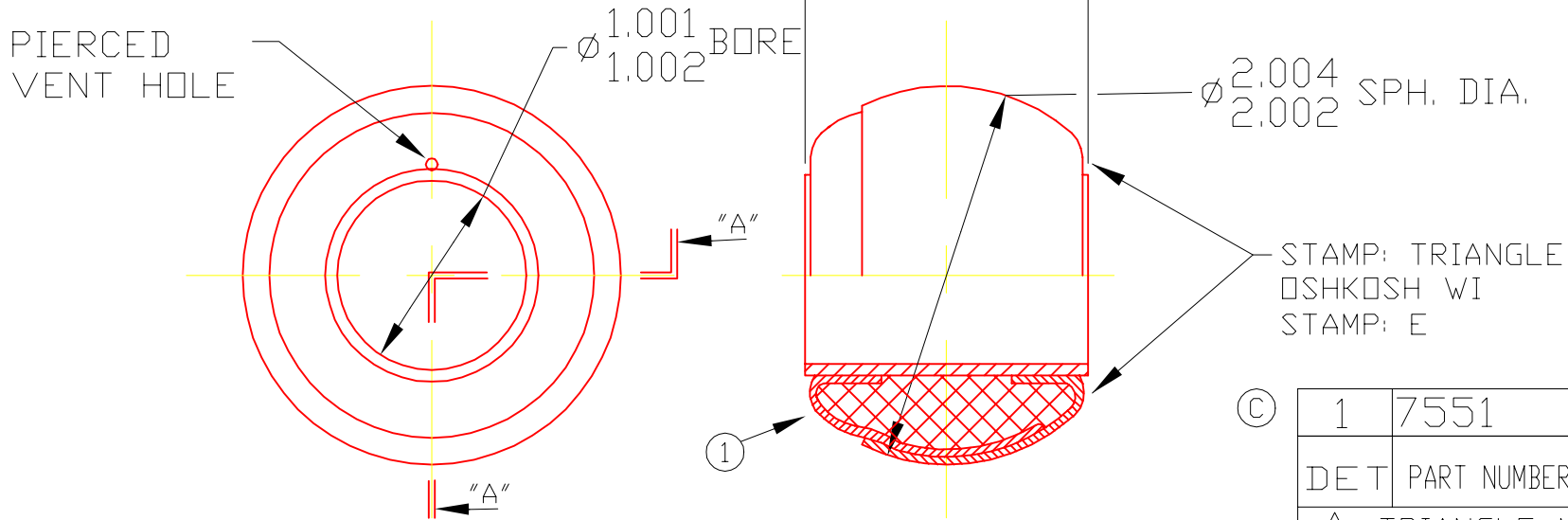


E16P



SECTION "A-A"

©

1	7551	BRG. BALL STAMPED	1
DET	PART NUMBER	DESCRIPTION	AMT
		<p>△ TRIANGLE MANUFACTURING CO. OSHKOSH, WI.</p>	
		NAME BRG. BALL, STAMPED	
		USED IN E SERIES	
DATE	12-29-61	PART NO.	
DRAWN	LML	E16P	
CHECKED	SP		
SCALE	1 / 1		

CHANGE LEVEL	
D	09-30-04

FIT	////
PLATING	////
MATERIAL	SEE DETAILS
ALL DIMS. \pm .020 UNLESS OTHERWISE SPECIFIED	