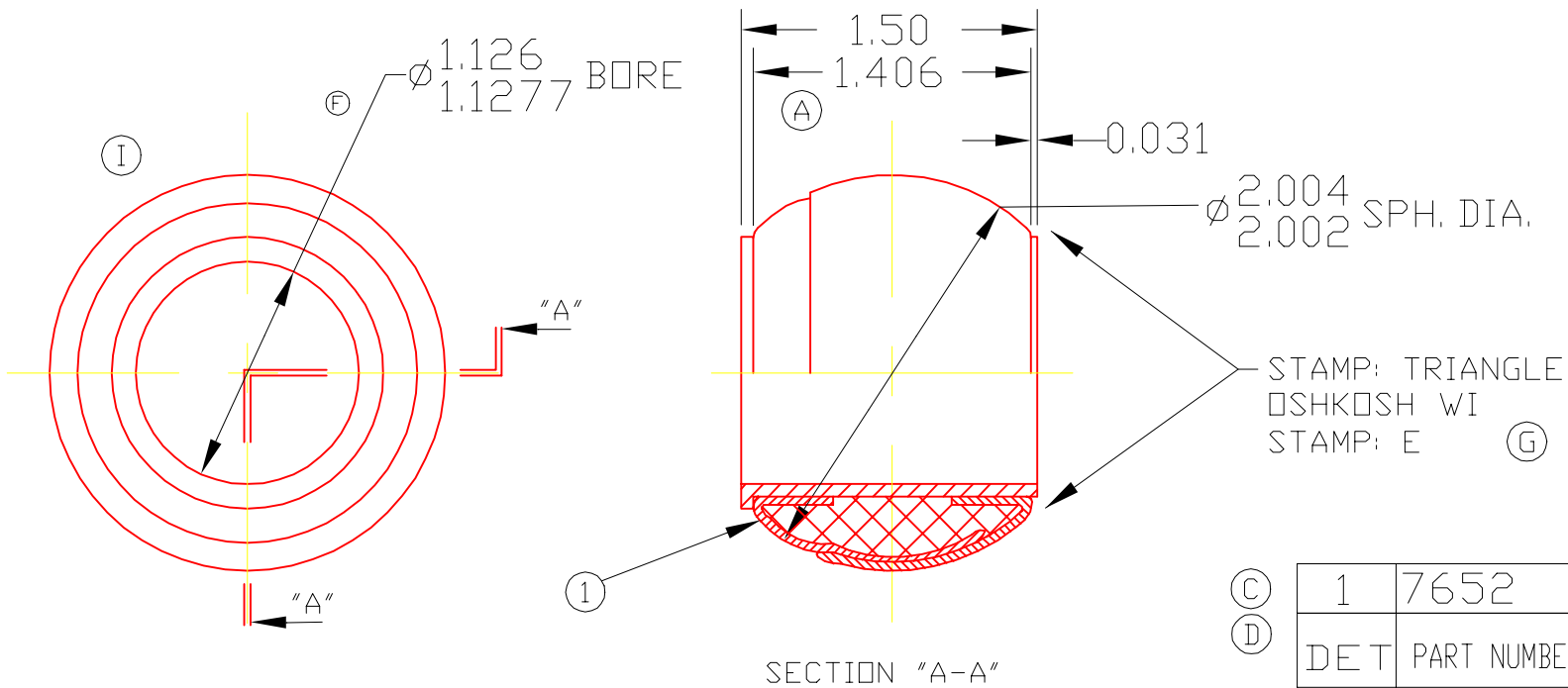


E18P



(C)
(D)

1	7652	BRG. BALL STAMPED	1
DET	PART NUMBER	DESCRIPTION	AMT
<p>△ TRIANGLE MANUFACTURING CO. OSHKOSH, WI.</p>			
NAME BRG. BALL, STAMPED			
USED IN E SERIES			
DATE	12-29-61	PART NO.	
DRAWN	LML	E18P	
CHECKED	SP		
SCALE	1 / 1		

FIT	////
PLATING	////
MATERIAL	SEE DETAILS
ALL DIMS. ±.020 UNLESS OTHERWISE SPECIFIED	

CHANGE LEVEL	
I	10-11-04