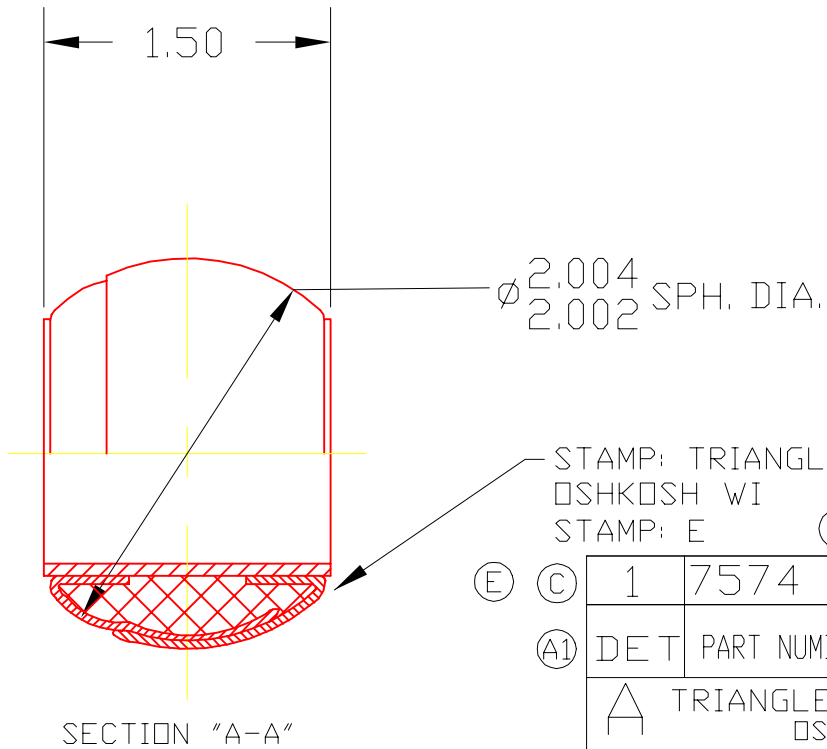
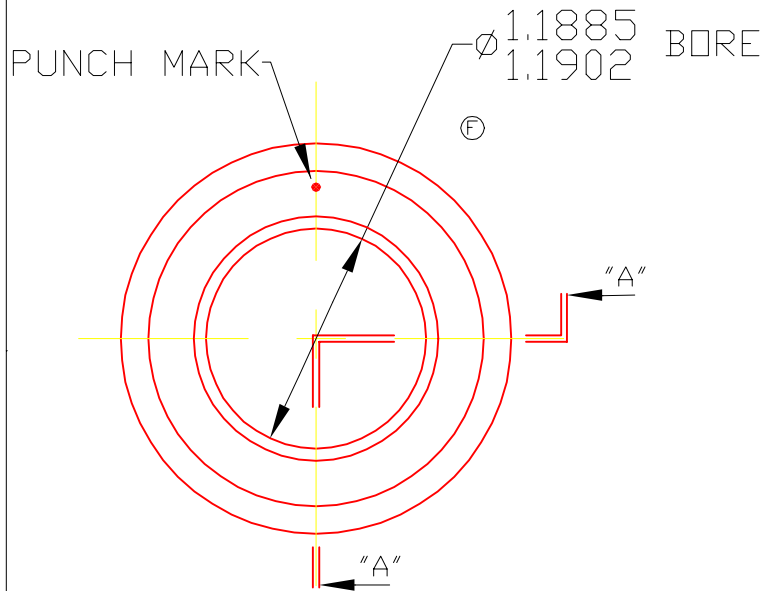


E19P



QTY	PART NUMBER	DESCRIPTION	AMT
1	7574	BRG. BALL STAMPED	1

ⓐ TRIANGLE MANUFACTURING CO.  
OSHKOSH, WI.

NAME BRG. BALL, STAMPED

USED IN E SERIES

FIT	////
PLATING	////
MATERIAL	SEE DETAILS
ALL DIMS. ±.020 UNLESS OTHERWISE SPECIFIED	

DATE	12-29-61	PART NO.
DRAWN	LML	
CHECKED	SP	
SCALE	1 / 1	

CHANGE LEVEL
I 09-30-04

E19P