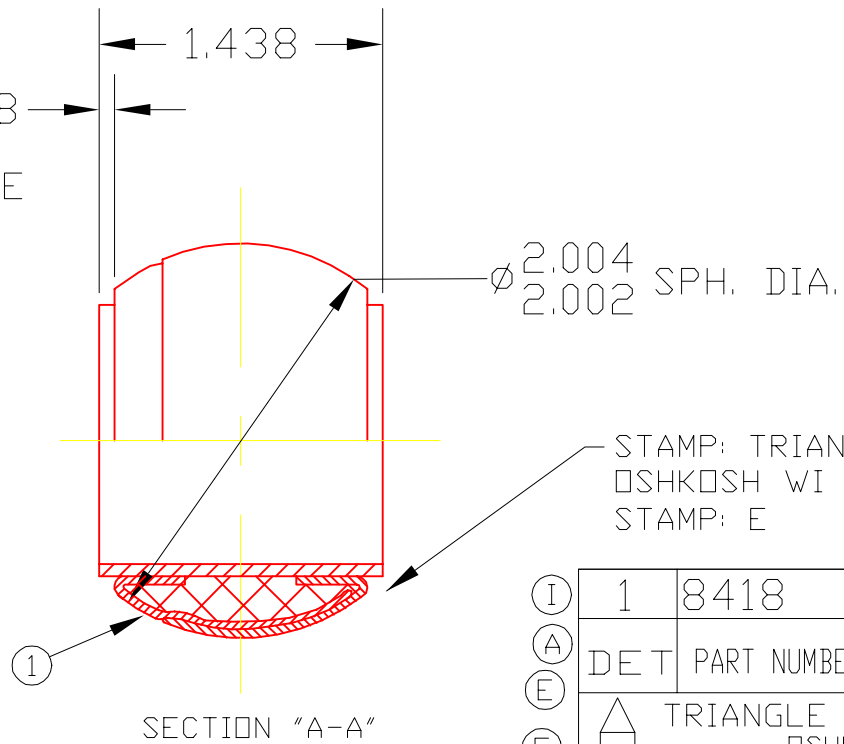
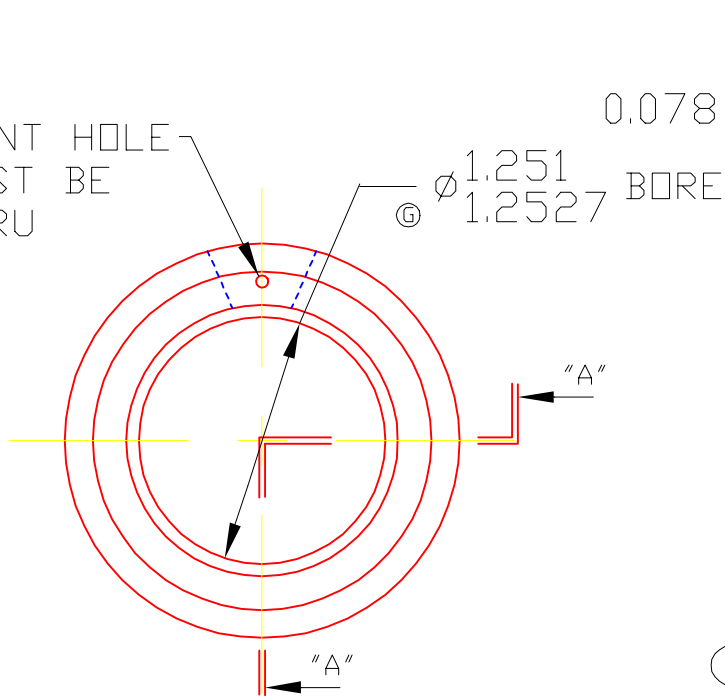


E20P

ⓑ VENT HOLE MUST BE THRU



STAMP: TRIANGLE
OSHKOSH WI
STAMP: E

ⓐ	1	8418	BRG. BALL	1
ⓑ	DET	PART NUMBER	DESCRIPTION	AMT
Ⓒ	TRIANGLE MANUFACTURING CO. OSHKOSH, WI.			
Ⓓ	NAME BRG. BALL, STAMPED			
Ⓔ	USED IN E SERIES			

FIT	////
PLATING	////
MATERIAL	SEE DETAILS
ALL DIMS. ± 0.020 UNLESS OTHERWISE SPECIFIED	

DATE	12-29-61	PART NO.
DRAWN	SP	
CHECKED	SP	
SCALE	1 / 1	

CHANGE LEVEL
J 11-02-04

E20P