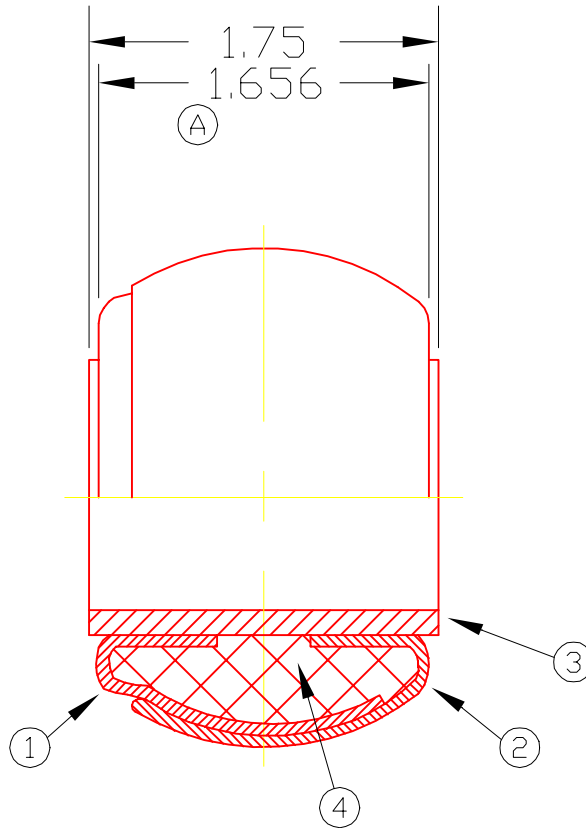
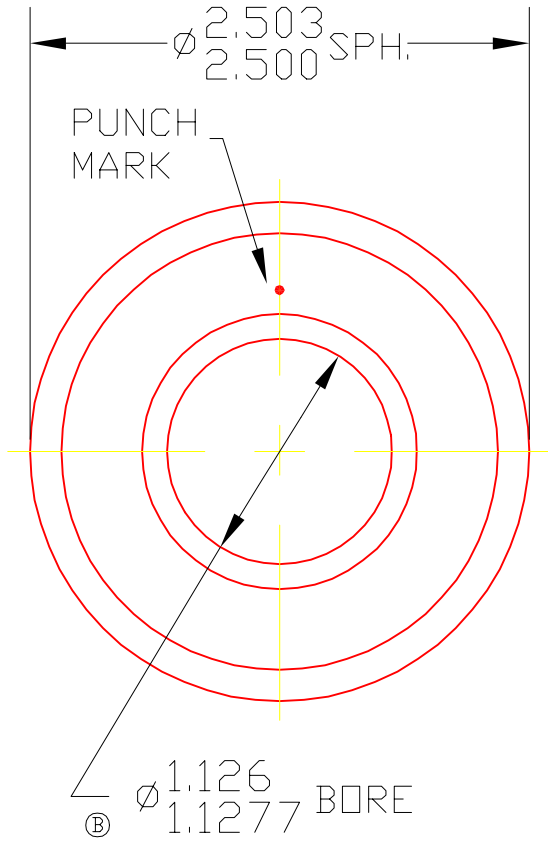


F18P



5	L-1	OIL	25
4	1061-12	FELT	1
3	1035-52	BUSHING	1
2	1556-3	OUTSIDE SHELL	1
1	1557-1	INSIDE SHELL	1

DET	PART NUMBER	DESCRIPTION	AMT
-----	-------------	-------------	-----

A TRIANGLE MANUFACTURING CO.
OSHKOSH, WI.

NAME BRG. BALL, STAMPED

USED IN F SERIES

DATE	2-20-62	PART NO. F18P
DRAWN	LML	
CHECKED	MJK	
SCALE	1 / 1	

FIT	////
PLATING	////
MATERIAL	SEE DETAILS
ALL DIMS. ±.020 UNLESS OTHERWISE SPECIFIED	

CHANGE LEVEL
B 02-17-99