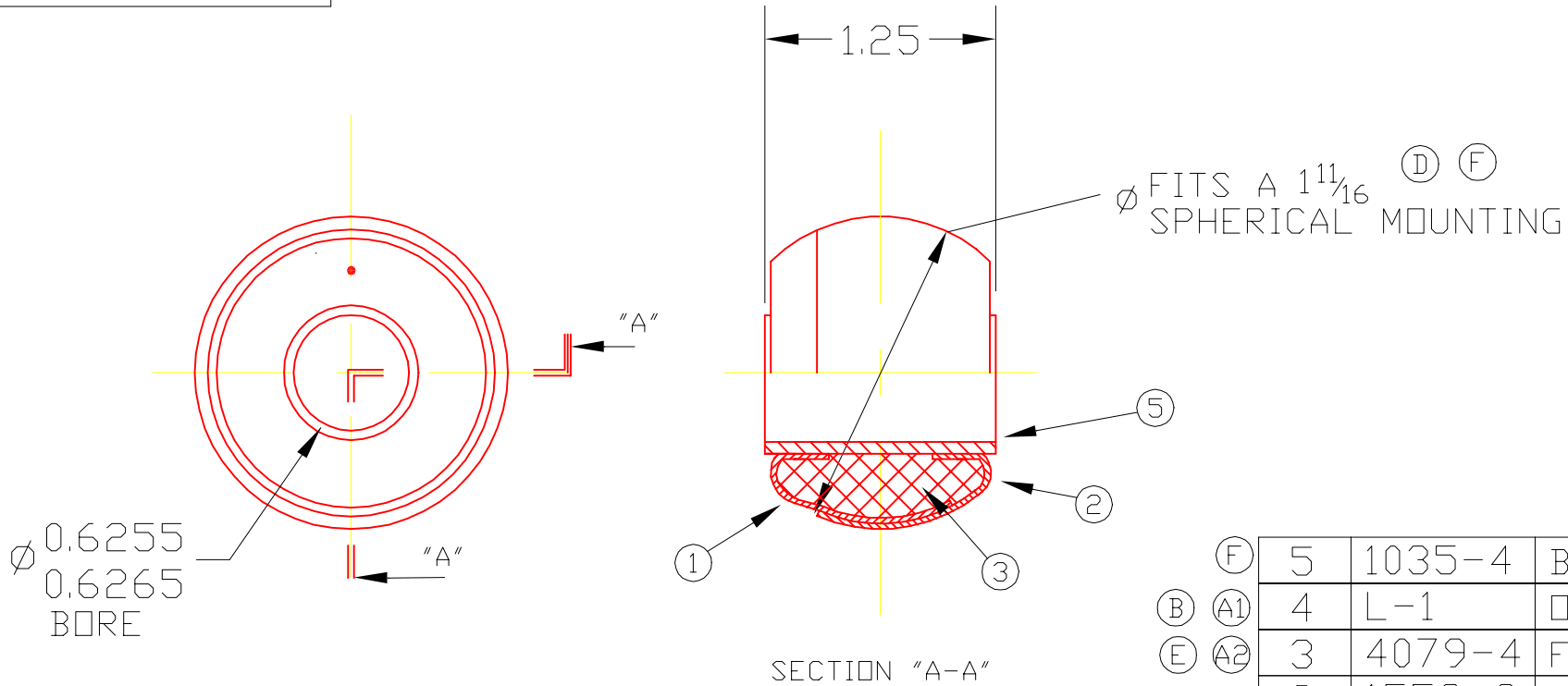


H10P



(F)	5	1035-4	BUSHING	1
(B) (A1)	4	L-1	OIL	6.5
(E) (A2)	3	4079-4	FELT	1
	2	1553-2	OUTSIDE SHELL	1
	1	1552-6	INSIDE SHELL	1
DET	PART NUMBER	DESCRIPTION	AMT	

△ TRIANGLE MANUFACTURING CO.
OSHKOSH, WI.

NAME BRG. BALL, STAMPED

USED IN H SERIES

DATE 1-11-62

PART NO.

DRAWN LML

CHECKED MJK

SCALE 1 / 1

H10P

LUBE	NONE
PLATING	////
MATERIAL	SEE DETAILS
ALL DIMS. ±.020 UNLESS OTHERWISE SPECIFIED	

CHANGE LEVEL	
I	09-30-04