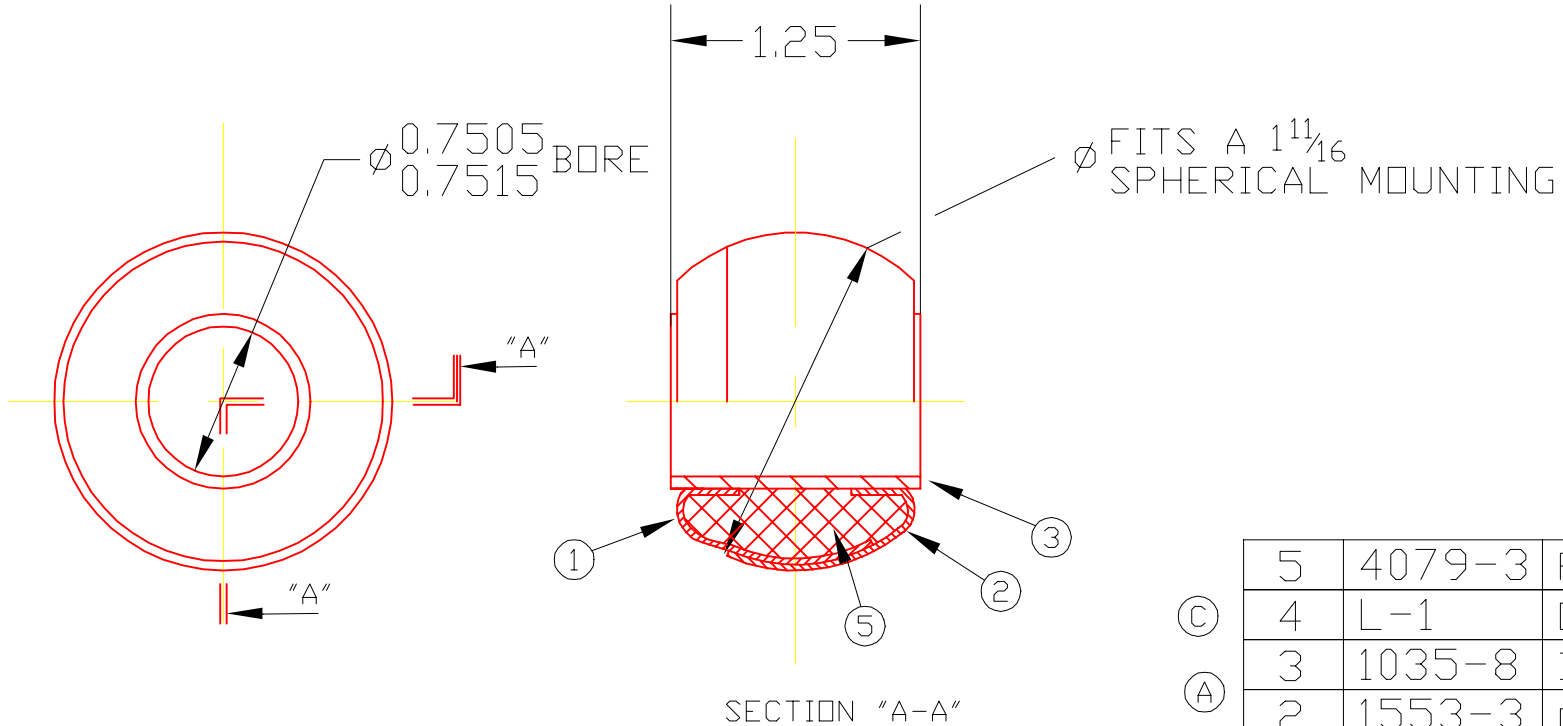


H12P



5	4079-3	FELT	1
4	L-1	OIL	5.5
3	1035-8	BUSHING	1
2	1553-3	OUTSIDE SHELL	1
1	1552-4	INSIDE SHELL	1

DET	PART NUMBER	DESCRIPTION	AMT
TRIANGLE MANUFACTURING CO. OSHKOSH, WI.			

NAME BRG. BALL, STAMPED

USED IN H SERIES

DATE 1-12-60 PART NO.

DRAWN LML

CHECKED MJK

SCALE 1 / 1

H12P

LUBE	NONE
PLATING	////
MATERIAL	SEE DETAILS
ALL DIMS. \pm .020 UNLESS OTHERWISE SPECIFIED	

CHANGE LEVEL	
I	09-30-04