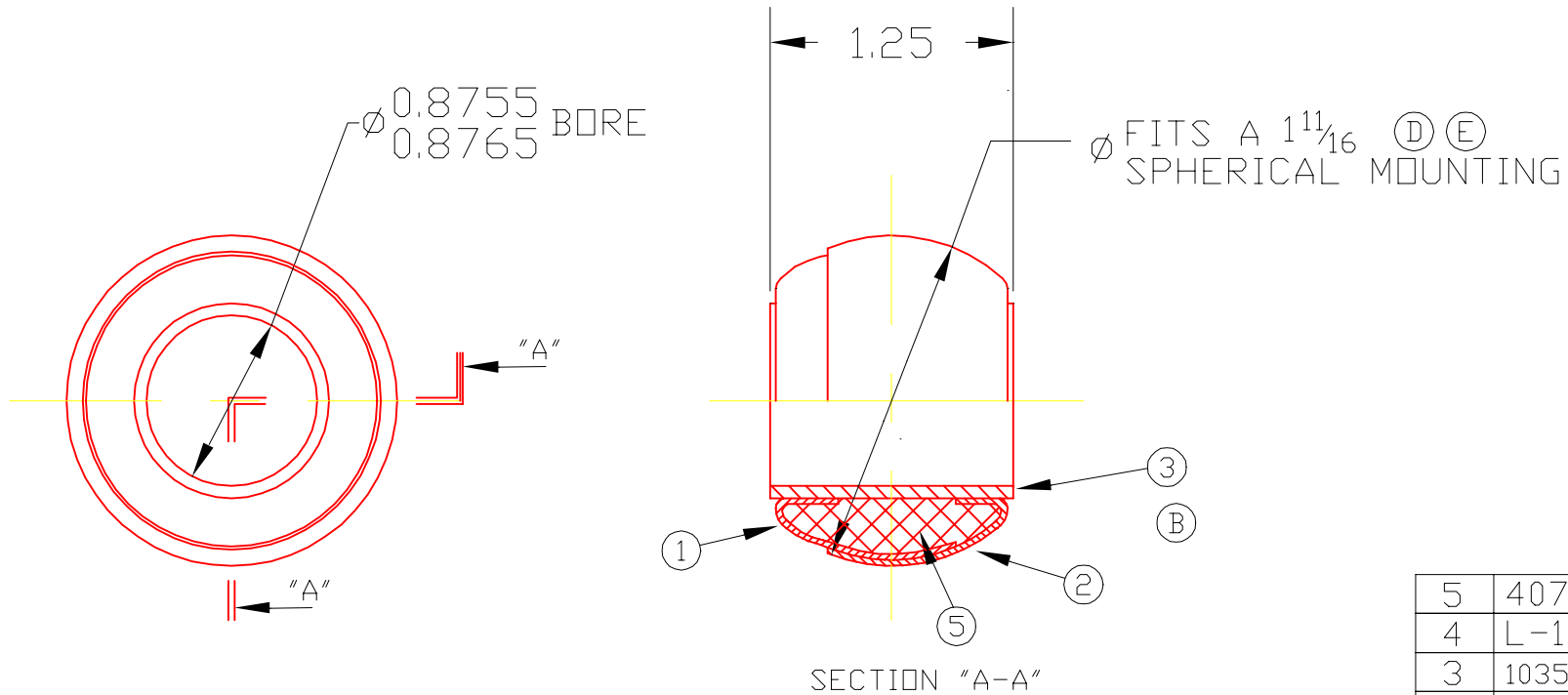


H14P



5	4079-1	FELT	1
4	L-1	OIL	4.4
3	1035-45	BUSHING	1
2	1553-4	OUTSIDE SHELL	1
1	1552-7	INSIDE SHELL	1
DET	PART NUMBER	DESCRIPTION	AMT

TRIANGLE MANUFACTURING CO.  
OSHKOSH, WI.

NAME BRG. BALL, STAMPED

USED IN H SERIES

DATE 1-11-62

PART NO.

DRAWN LML

CHECKED SP

SCALE 1 / 1

H14P

FIT	////
PLATING	////
MATERIAL	SEE DETAILS
ALL DIMS. ±.020 UNLESS OTHERWISE SPECIFIED	

CHANGE LEVEL	
I	09-30-04