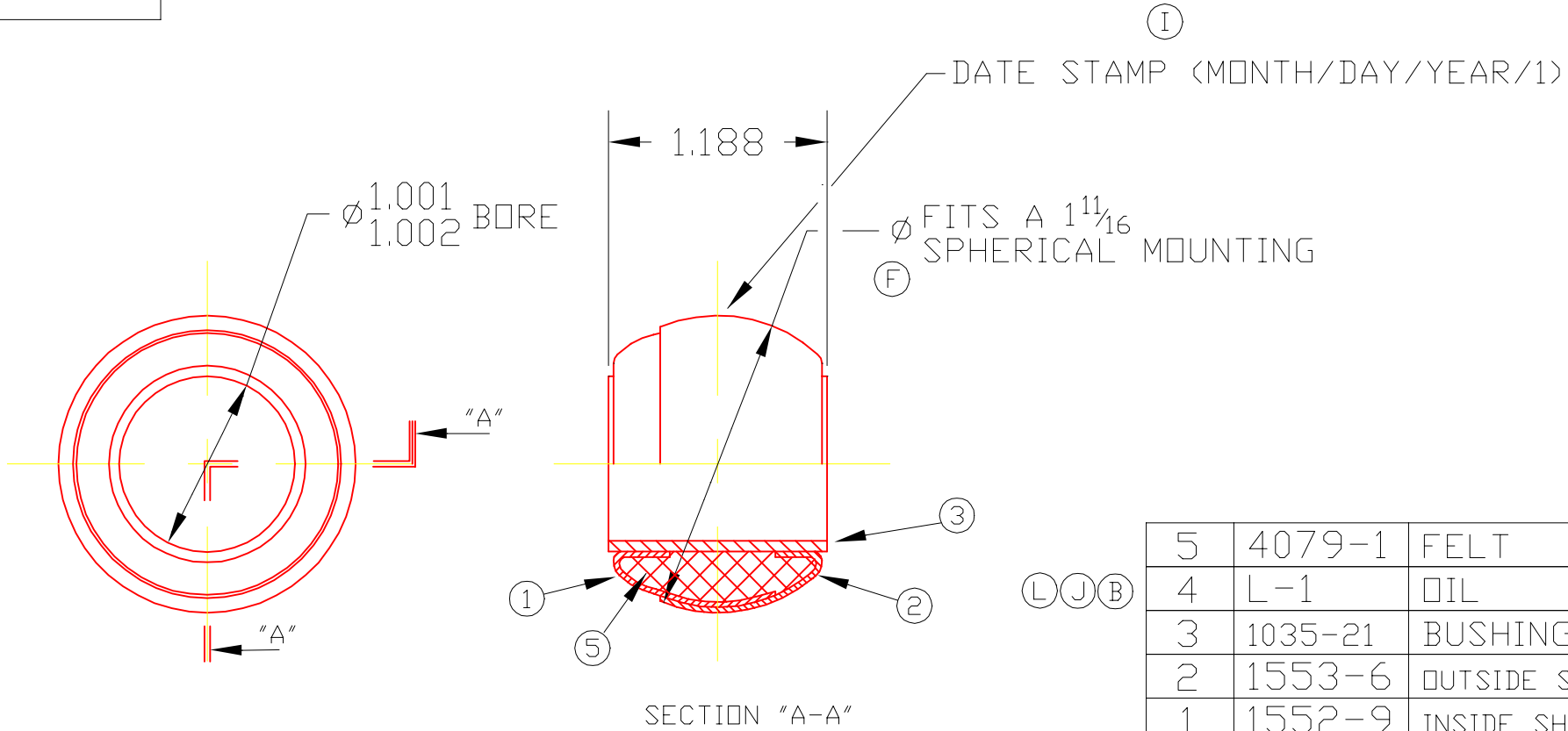


H16P



5	4079-1	FELT	1
4	L-1	OIL	4.4
3	1035-21	BUSHING	1
2	1553-6	OUTSIDE SHELL	1
1	1552-9	INSIDE SHELL	1
	PART NUMBER	DESCRIPTION	AMT

TRIANGLE MANUFACTURING CO.
OSHKOSH, WI.

NAME BRG. BALL, STAMPED

USED IN H SERIES

DATE 1-11-62 PART NO.

DRAWN LML

CHECKED MJK

SCALE 1 / 1

H16P

FIT	////
PLATING	////
MATERIAL	SEE DETAILS
ALL DIMS.	±.020 UNLESS OTHERWISE SPECIFIED

CHANGE LEVEL
L 11-29-04