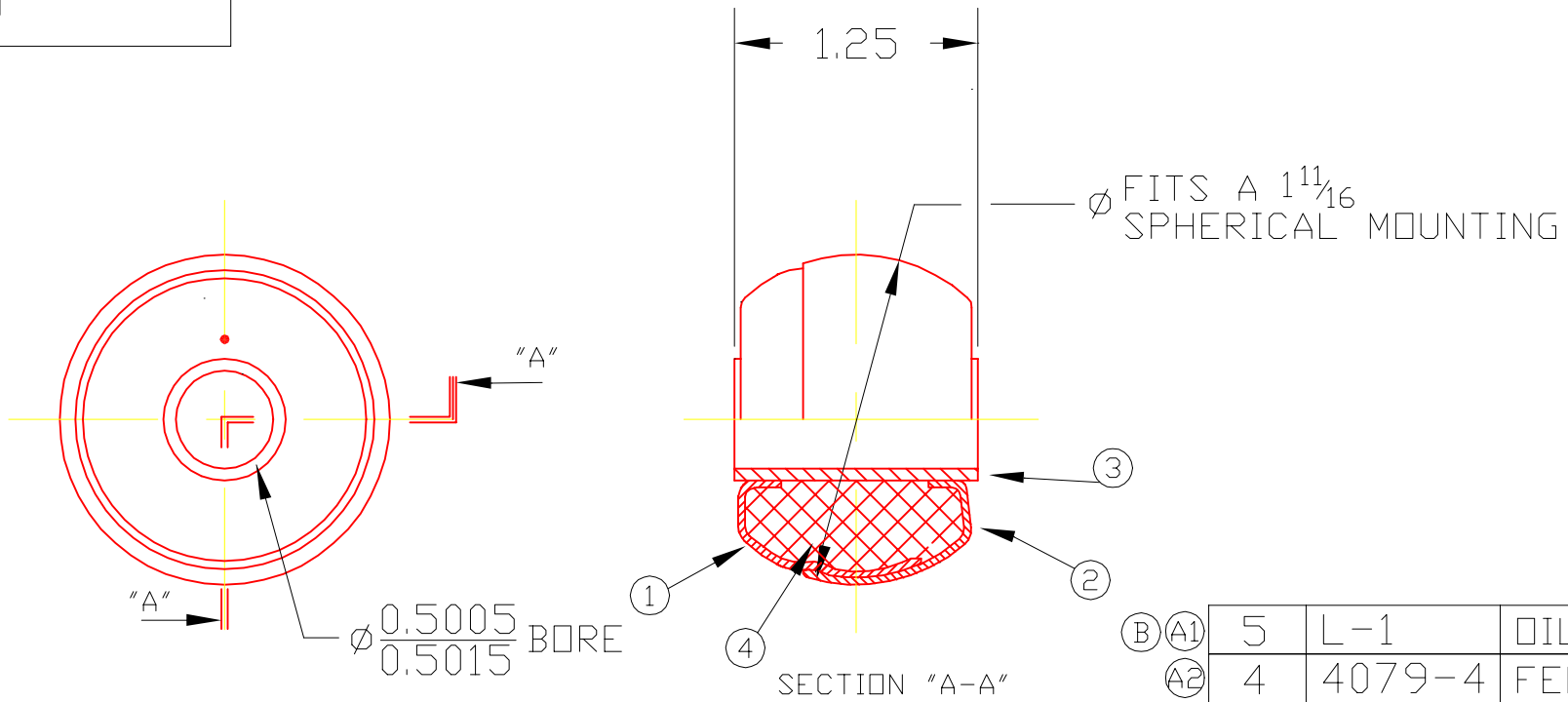


H8P



(B)(A1)	5	L-1	OIL	6
(A2)	4	4079-4	FELT	1
	3	1035-2	BUSHING	1
	2	1553-5	OUTSIDE SHELL	1
(C2)	1	1552-8	INSIDE SHELL	1

DET	PART NUMBER	DESCRIPTION	AMT

△ TRIANGLE MANUFACTURING CO.
OSHKOSH, WI.

NAME BRG. BALL, STAMPED

USED IN H SERIES

DATE	3-22-65	PART NO. H8P
DRAWN	LML	
CHECKED	MJK	
SCALE	1 / 1	

FIT	////
PLATING	////
MATERIAL	SEE DETAILS
ALL DIMS. ±.020 UNLESS OTHERWISE SPECIFIED	

CHANGE LEVEL	
I	09-30-04