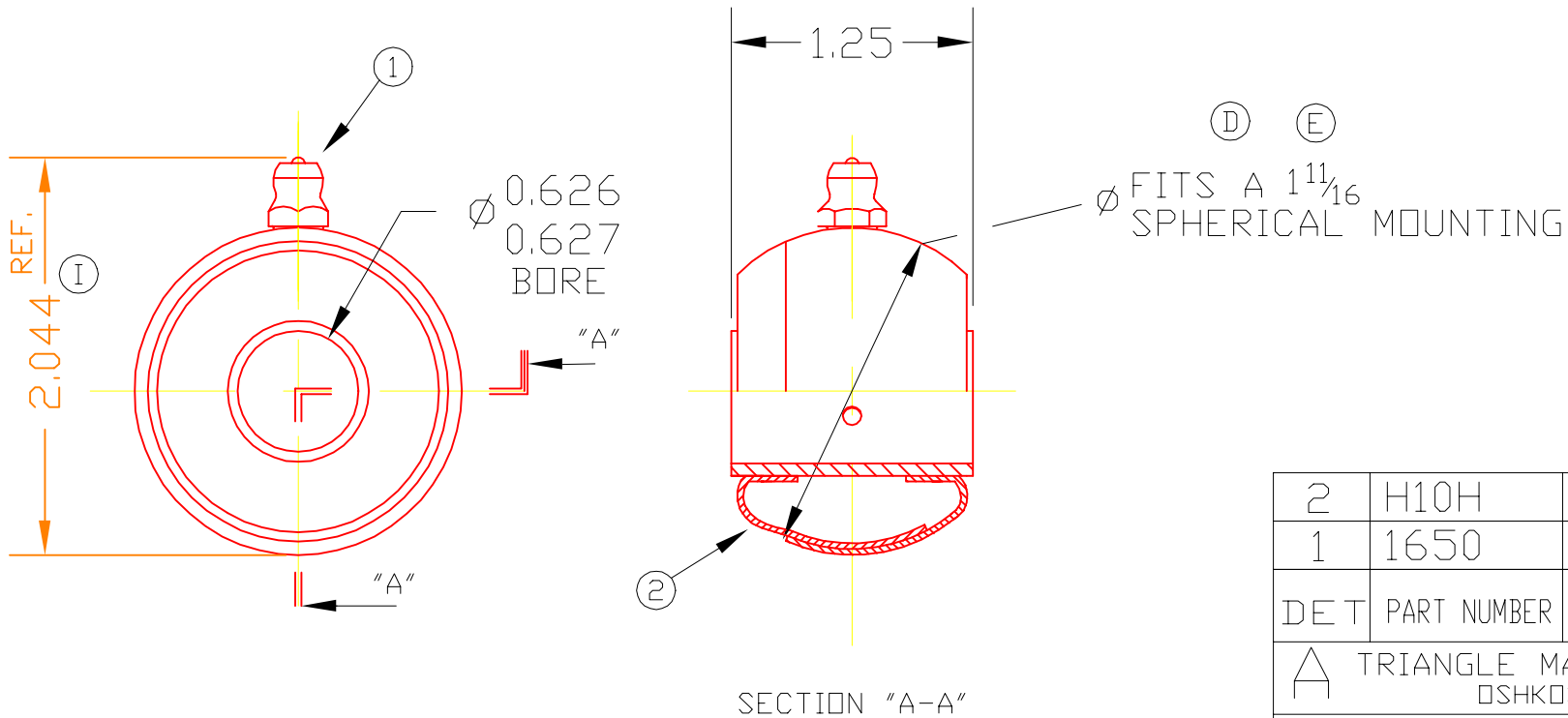


H10G



2	H10H	BALL ASS'Y	1
1	1650	FITTING	1
DET	PART NUMBER	DESCRIPTION	AMT

△ TRIANGLE MANUFACTURING CO.  
OSHKOSH, WI.

NAME BRG. BALL, STAMPED

USED IN H SERIES

DATE 4-18-63 PART NO.

DRAWN LML

CHECKED MJK

SCALE 1 / 1

H10G

CHANGE LEVEL	
I	03-16-04

LUBE	NONE
PLATING	////
MATERIAL	SEE DETAILS
ALL DIMS. ±.020 UNLESS OTHERWISE SPECIFIED	