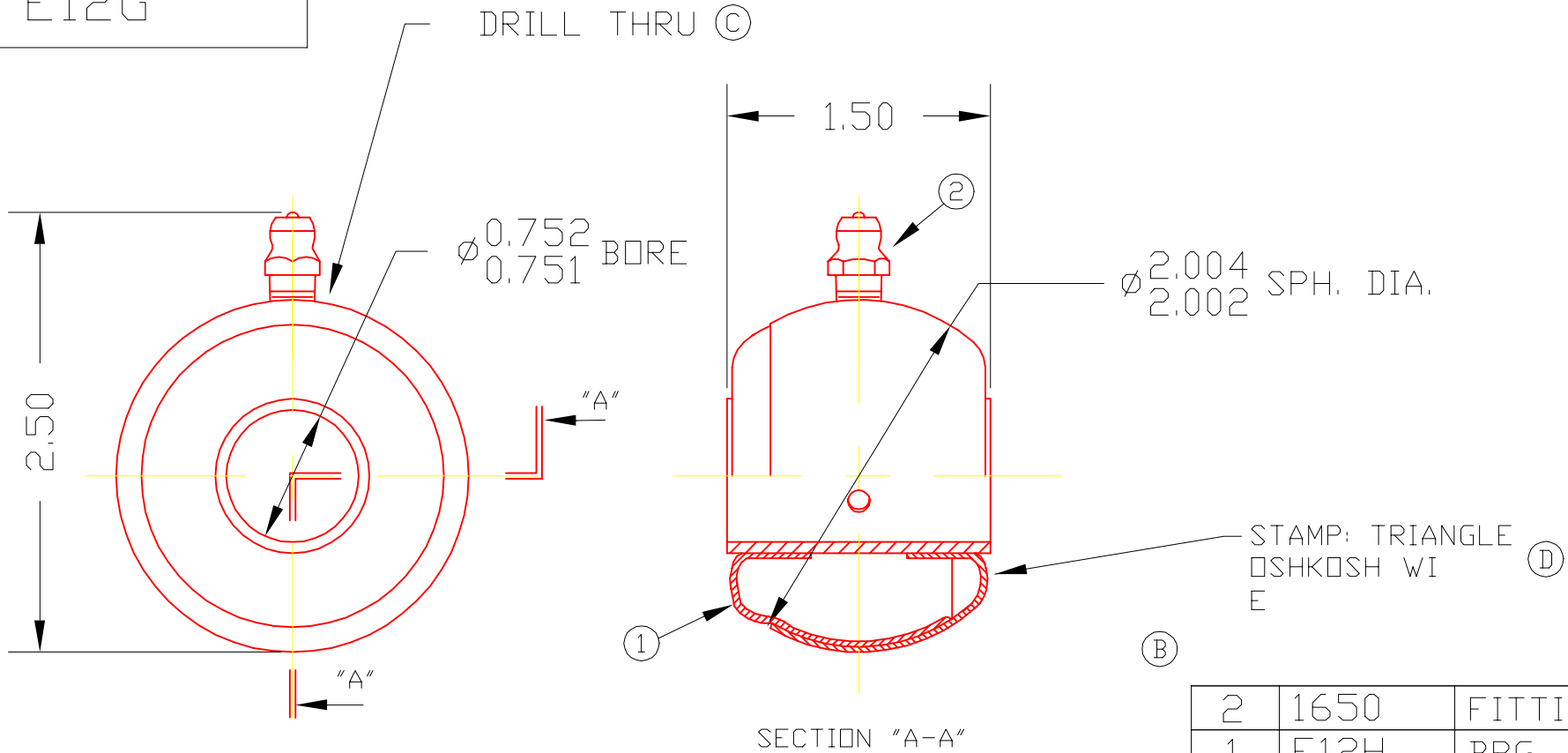


E12G



2	1650	FITTING	1
1	E12H	BRG. BALL	1
DET	PART NUMBER	DESCRIPTION	AMT

TRIANGLE MANUFACTURING CO.  
OSHKOSH, WI.

NAME BRG. BALL, STAMPED

USED IN E SERIES

DATE	12-26-61	PART NO.	E12G
DRAWN	LML		
CHECKED	SP		
SCALE		1 / 1	

FIT	////
PLATING	////
MATERIAL	SEE DETAILS
ALL DIMS. ±.020 UNLESS OTHERWISE SPECIFIED	

CHANGE LEVEL	
D	03-06-02