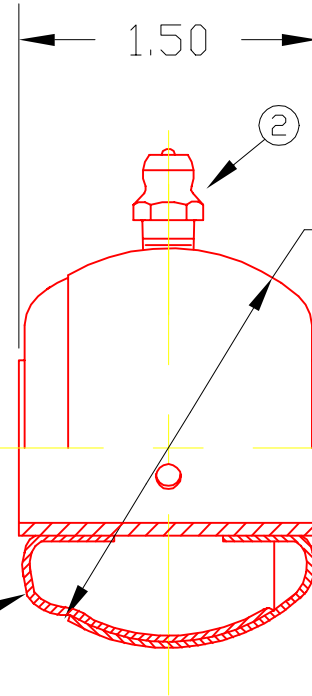
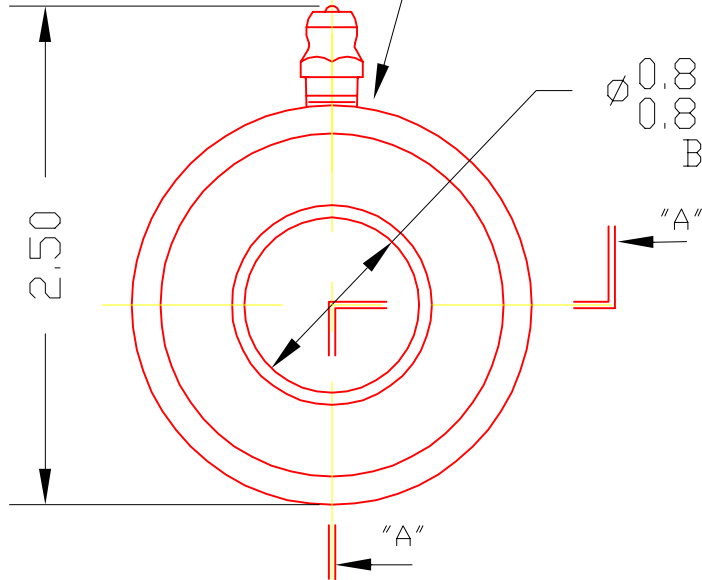


E14G

DRILL THRU
ONE HOLE

Ø 0.8760
0.8770
BORE



Ø 2.004
2.002 SPH. DIA.

STAMP: TRIANGLE
OSHKOSH WI
STAMP: E

SECTION "A-A"

2	1650	FITTING	1
1	E14H	BRG. BALL	1
DET	PART NUMBER	DESCRIPTION	AMT

▲ TRIANGLE MANUFACTURING CO.
OSHKOSH, WI.

NAME BRG. BALL, STAMPED

USED IN E SERIES

DATE 12-26-61

PART NO.

DRAWN LML

CHECKED SP

SCALE 1 / 1

E14G

FIT	////
PLATING	////
MATERIAL	SEE DETAILS
ALL DIMS. ±.020 UNLESS OTHERWISE SPECIFIED	

CHANGE LEVEL	
D	02-20-02