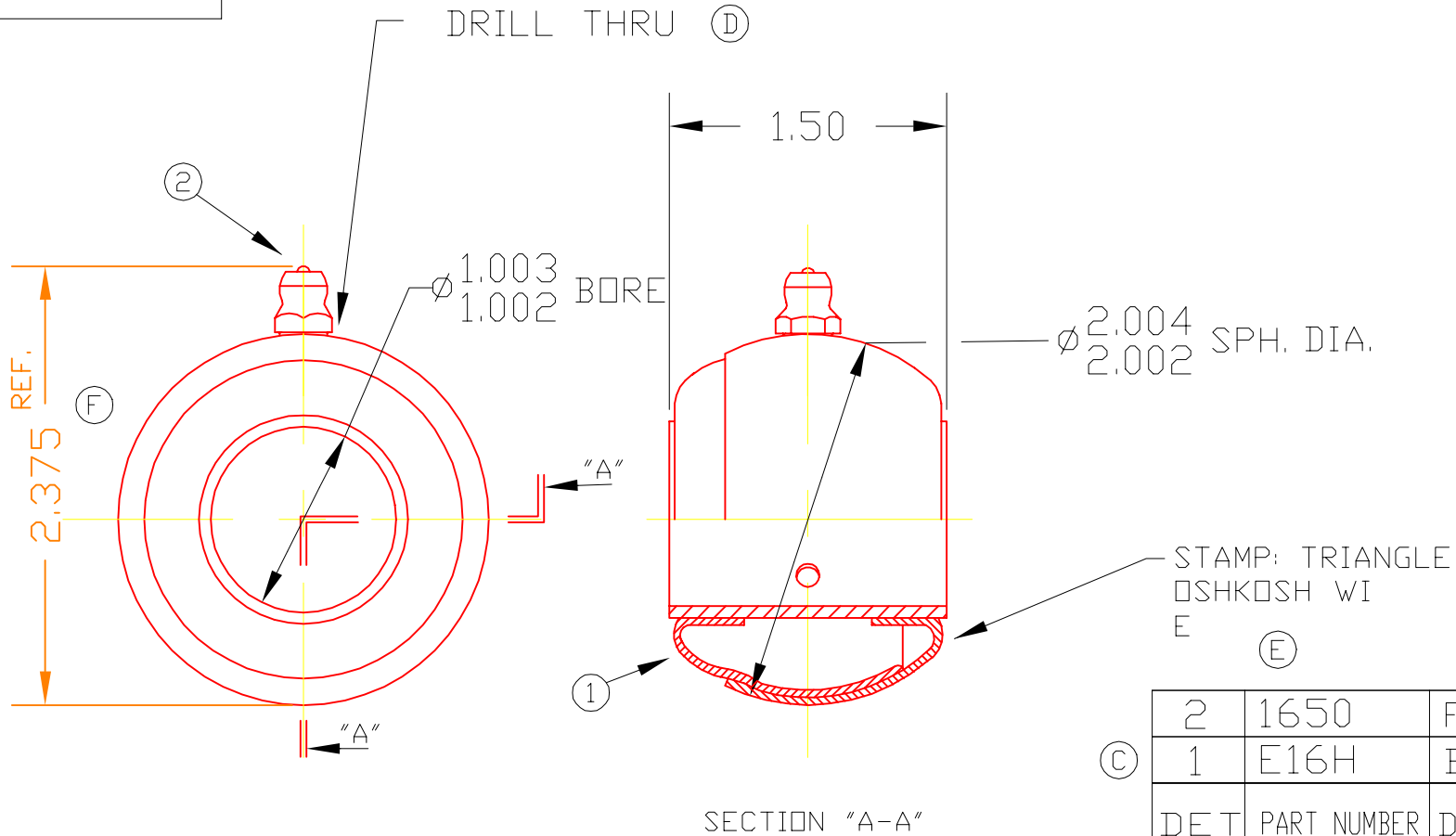


E16G



STAMP: TRIANGLE  
 OSHKOSH WI  
 E  
 (E)

(C)	2	1650	FITTING	1
	1	E16H	BRG. BALL	1

DET	PART NUMBER	DESCRIPTION	AMT
TRIANGLE MANUFACTURING CO. OSHKOSH, WI.			

NAME BRG. BALL, STAMPED

USED IN E SERIES

DATE 12-27-61 PART NO.

DRAWN LML

CHECKED SP

SCALE 1 / 1

E16G

FIT	////
PLATING	////
MATERIAL	SEE DETAILS
ALL DIMS. ±.020 UNLESS OTHERWISE SPECIFIED	

CHANGE LEVEL	
F	03-18-04