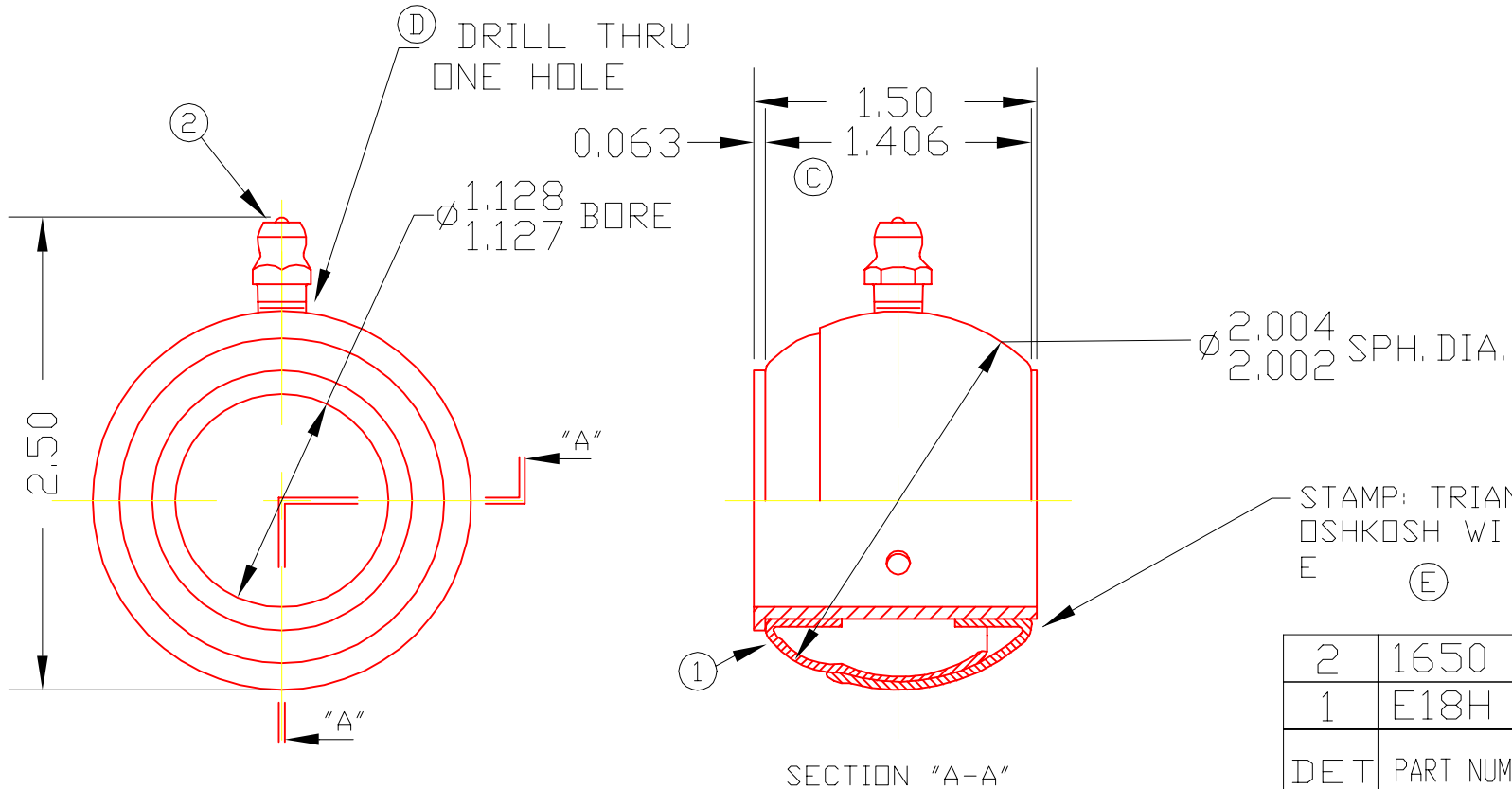


E18G



2	1650	FITTING	1
1	E18H	BRG. BALL	1
DET	PART NUMBER	DESCRIPTION	AMT

TRIANGLE MANUFACTURING CO.  
OSHKOSH, WI.

NAME BRG. BALL, STAMPED

USED IN E SERIES

DATE	12-27-61	PART NO.  <b>E18G</b>
DRAWN	LML	
CHECKED	SP	
SCALE	1 / 1	

FIT	////
PLATING	////
MATERIAL	SEE DETAILS
ALL DIMS. ±.020 UNLESS OTHERWISE SPECIFIED	

CHANGE LEVEL	
E	03-11-02