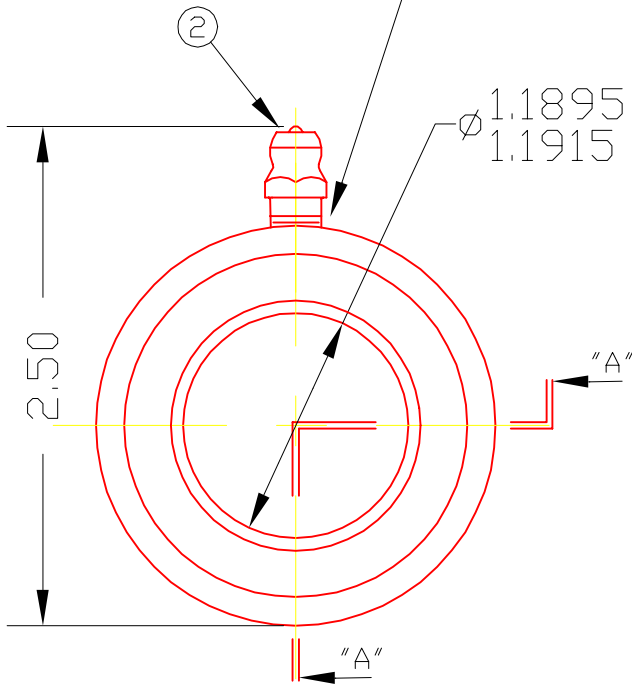


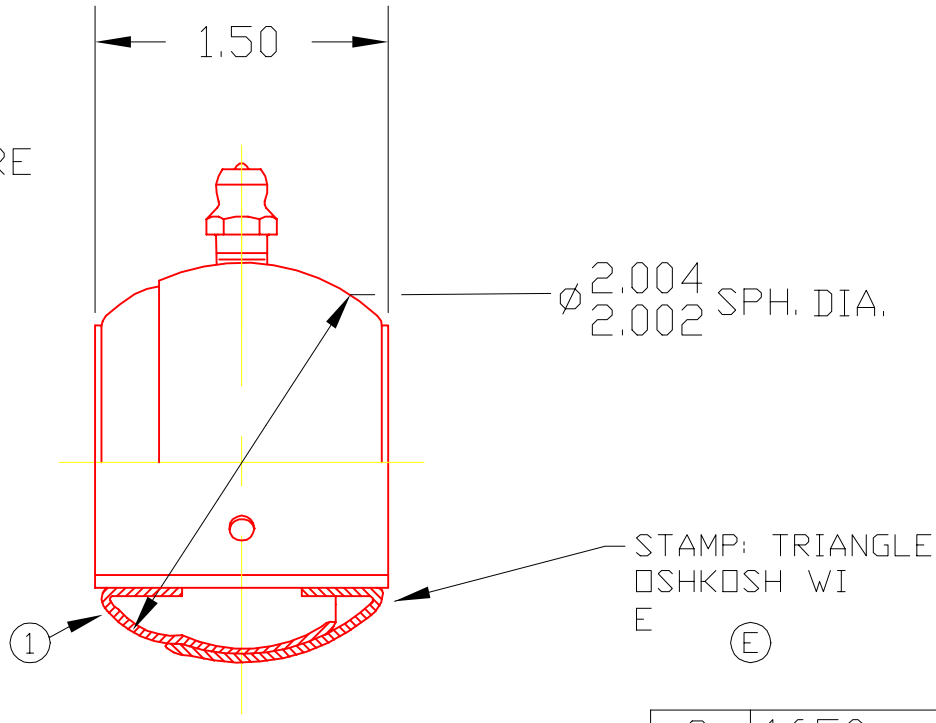
E19G

DRILL THRU ①
ONE HOLE

Ø 1.1895
1.1915 BORE ⑥



1.50



Ø 2.004
2.002 SPH. DIA.

STAMP: TRIANGLE
DSHKOSH WI
E ⑥

SECTION "A-A"

2	1650	FITTING	1
1	E19H	BRG. BALL	1

DET	PART NUMBER	DESCRIPTION	AMT
-----	-------------	-------------	-----

△ TRIANGLE MANUFACTURING CO.
DSHKOSH, WI.

NAME BRG. BALL, STAMPED

USED IN E SERIES

DATE 12-28-61

PART NO.

DRAWN LML

CHECKED SP

SCALE 1 / 1

E19G

FIT	////
PLATING	////
MATERIAL	SEE DETAILS
ALL DIMS. ±.020 UNLESS OTHERWISE SPECIFIED	

CHANGE LEVEL
G 04-14-04