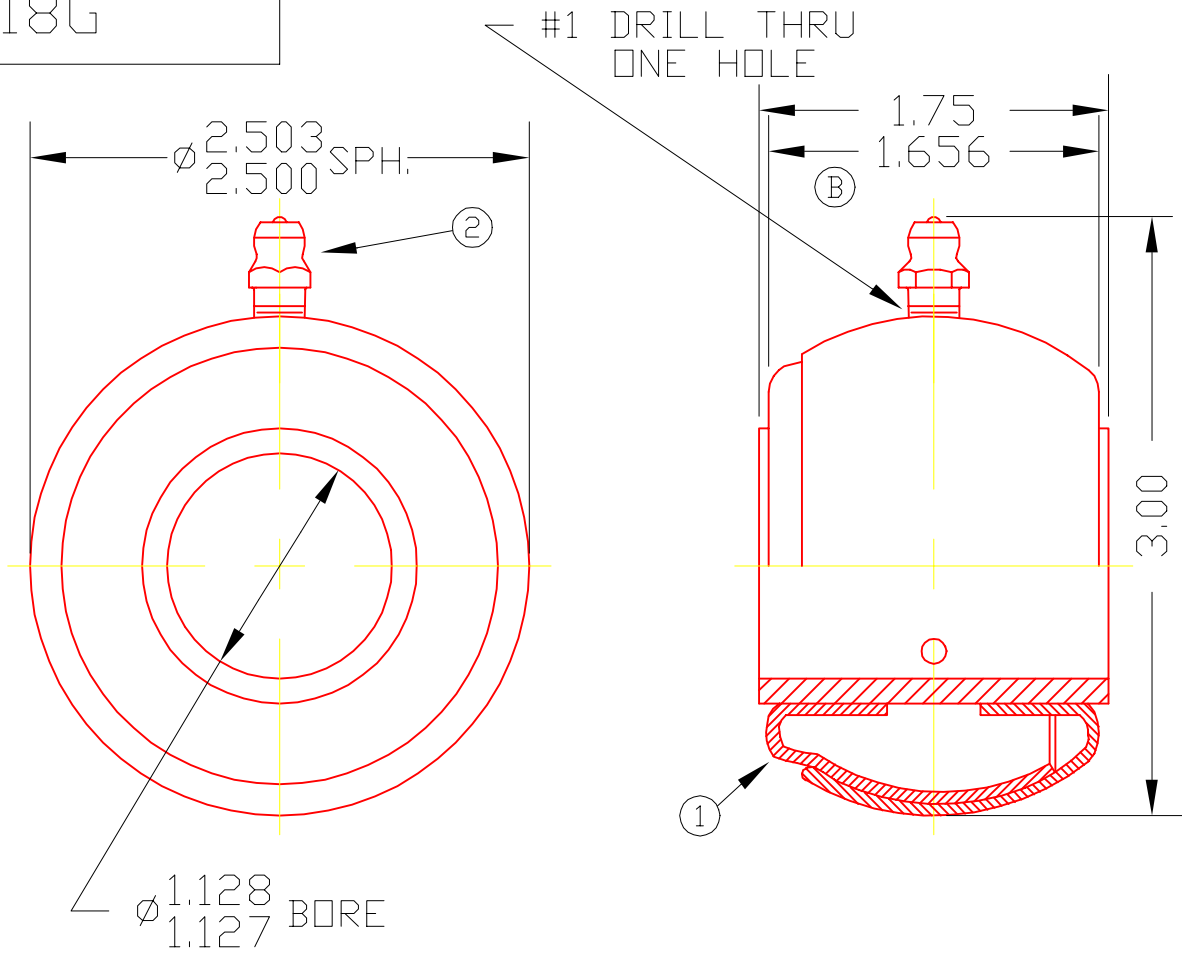


F18G



2	1650	FITTING	1
1	F18H	BRG. BALL	1
DET	PART NUMBER	DESCRIPTION	AMT

A TRIANGLE MANUFACTURING CO.  
OSHKOSH, WI.

NAME BRG. BALL, STAMPED

USED IN F SERIES

DATE 2-19-62

PART NO.

DRAWN LML

CHECKED SP

SCALE 1 / 1

F18G

FIT	////
PLATING	////
MATERIAL	SEE DETAILS
ALL DIMS. $\pm 0.020$ UNLESS OTHERWISE SPECIFIED	

CHANGE LEVEL	
B	2-22-65