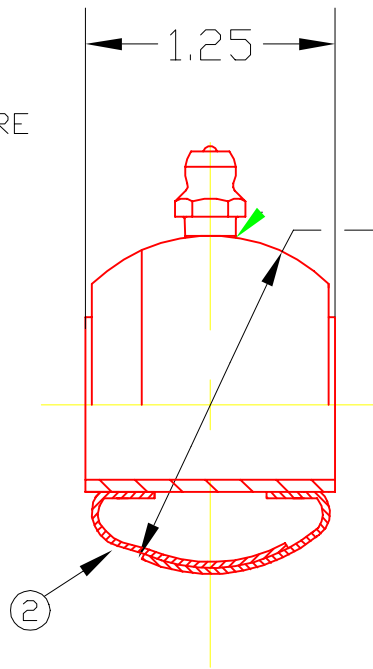
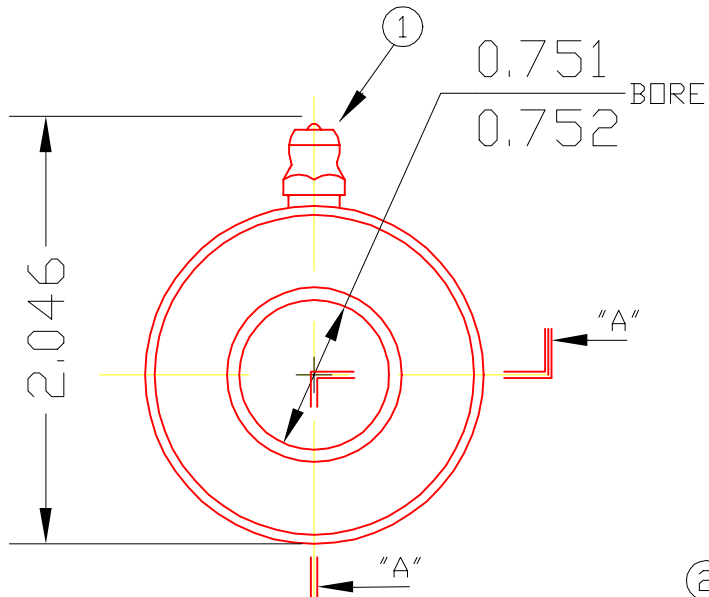


H12G



Ø FITS A 1¹¹/₁₆ SPHERICAL MOUNTING (D) (E)

SECTION "A-A"

DET	PART NUMBER	DESCRIPTION	AMT
2	H12H	BALL ASS'Y	1
1	1650	FITTING	1

△ TRIANGLE MANUFACTURING CO.
OSHKOSH, WI.

NAME BRG. BALL, STAMPED

USED IN H SERIES

DATE 06-03-87

PART NO.

DRAWN LML

CHECKED MJK

SCALE 1 / 1

H12G

CHANGE LEVEL
H 01-25-00

LUBE	NONE
PLATING	////
MATERIAL	SEE DETAIL
ALL DIMS. ±.020 UNLESS OTHERWISE SPECIFIED	