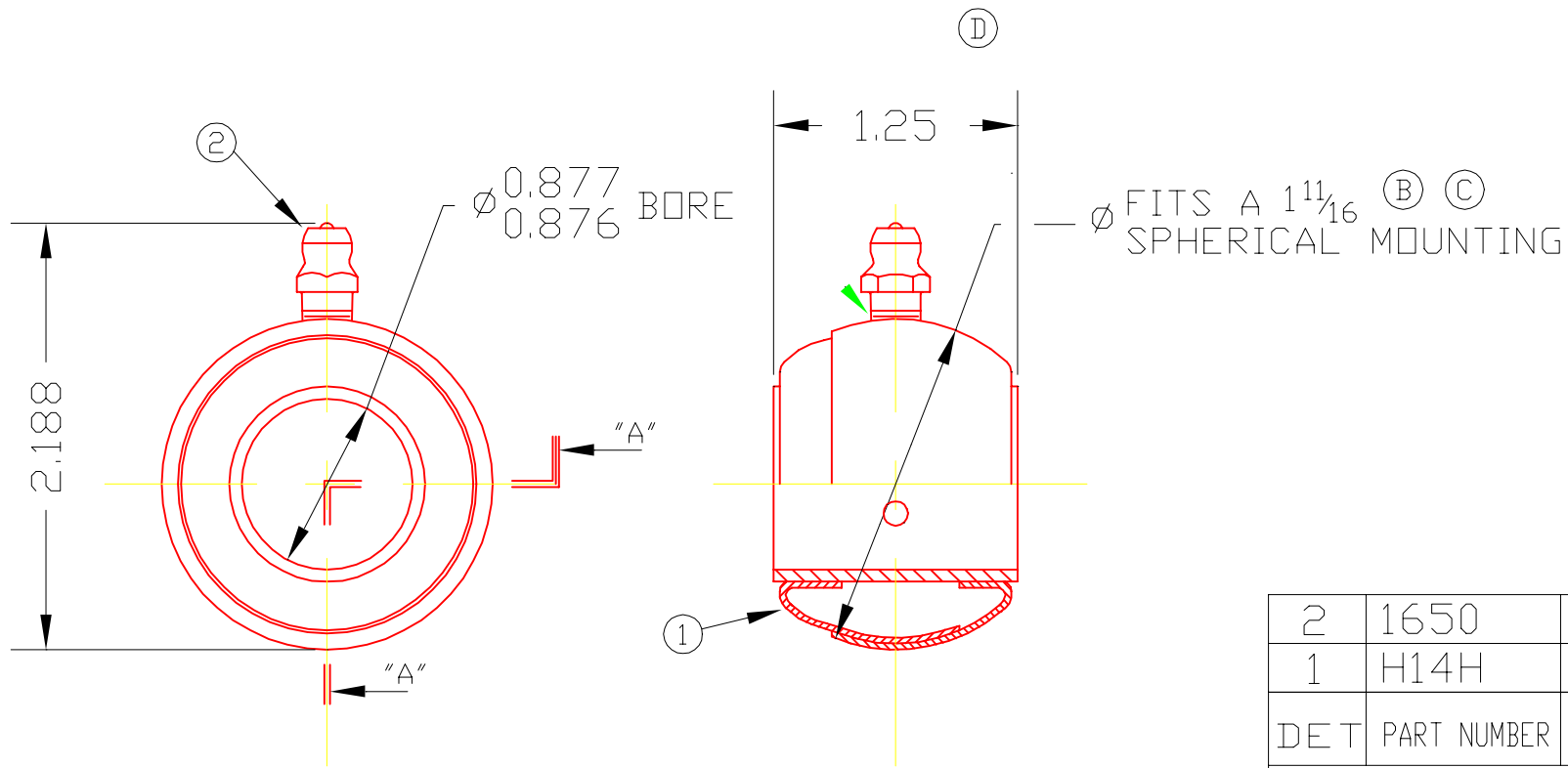


H14G



SECTION "A-A"

2	1650	FITTING	1
1	H14H	BRG. BALL	1
DET	PART NUMBER	DESCRIPTION	AMT

▲ TRIANGLE MANUFACTURING CO.
OSHKOSH, WI.

NAME BRG. BALL, STAMPED

USED IN H SERIES

DATE 4-17-63 PART NO.

DRAWN LML

CHECKED MJK

SCALE 1 / 1

H14G

LUBE	////
PLATING	////
MATERIAL	SEE DETAILS
ALL DIMS. ±.020 UNLESS OTHERWISE SPECIFIED	

CHANGE LEVEL
F 01-25-00