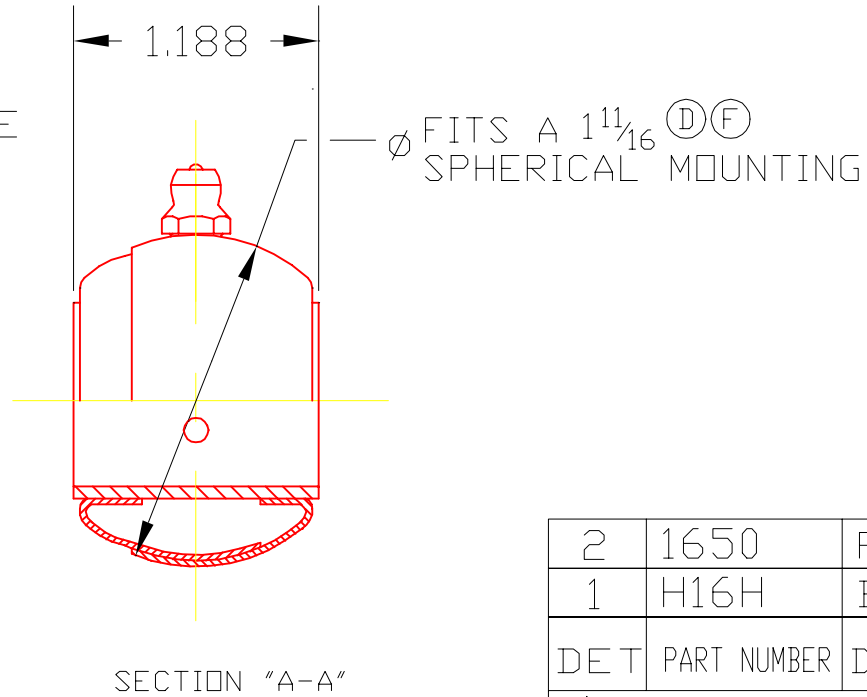
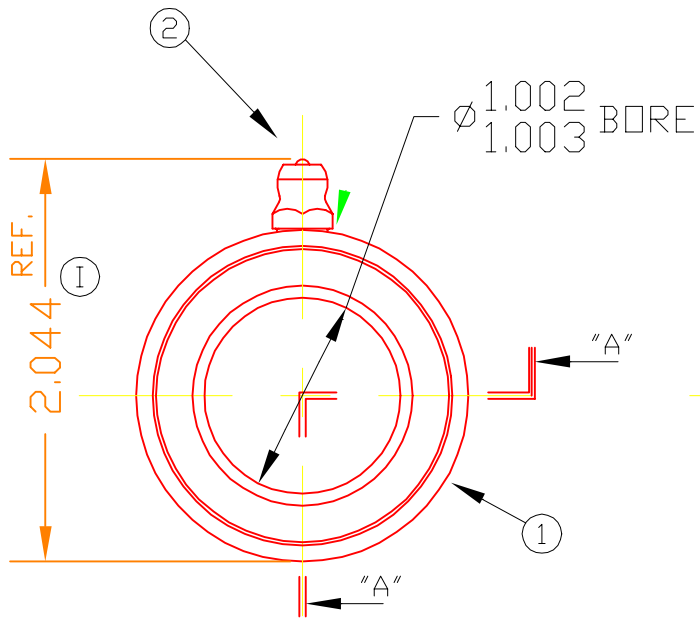


H16G



2	1650	FITTING	1
1	H16H	BRG. BALL	1
DET	PART NUMBER	DESCRIPTION	AMT

△ TRIANGLE MANUFACTURING CO.
OSHKOSH, WI.

NAME BRG. BALL, STAMPED

USED IN H SERIES

FIT	////
PLATING	////
MATERIAL	SEE DETAILS
ALL DIMS. ±.020 UNLESS OTHERWISE SPECIFIED	

DATE	4-18-63	PART NO.
DRAWN	LML	H16G
CHECKED	MJK	
SCALE	1 / 1	

CHANGE LEVEL
J 03-16-04