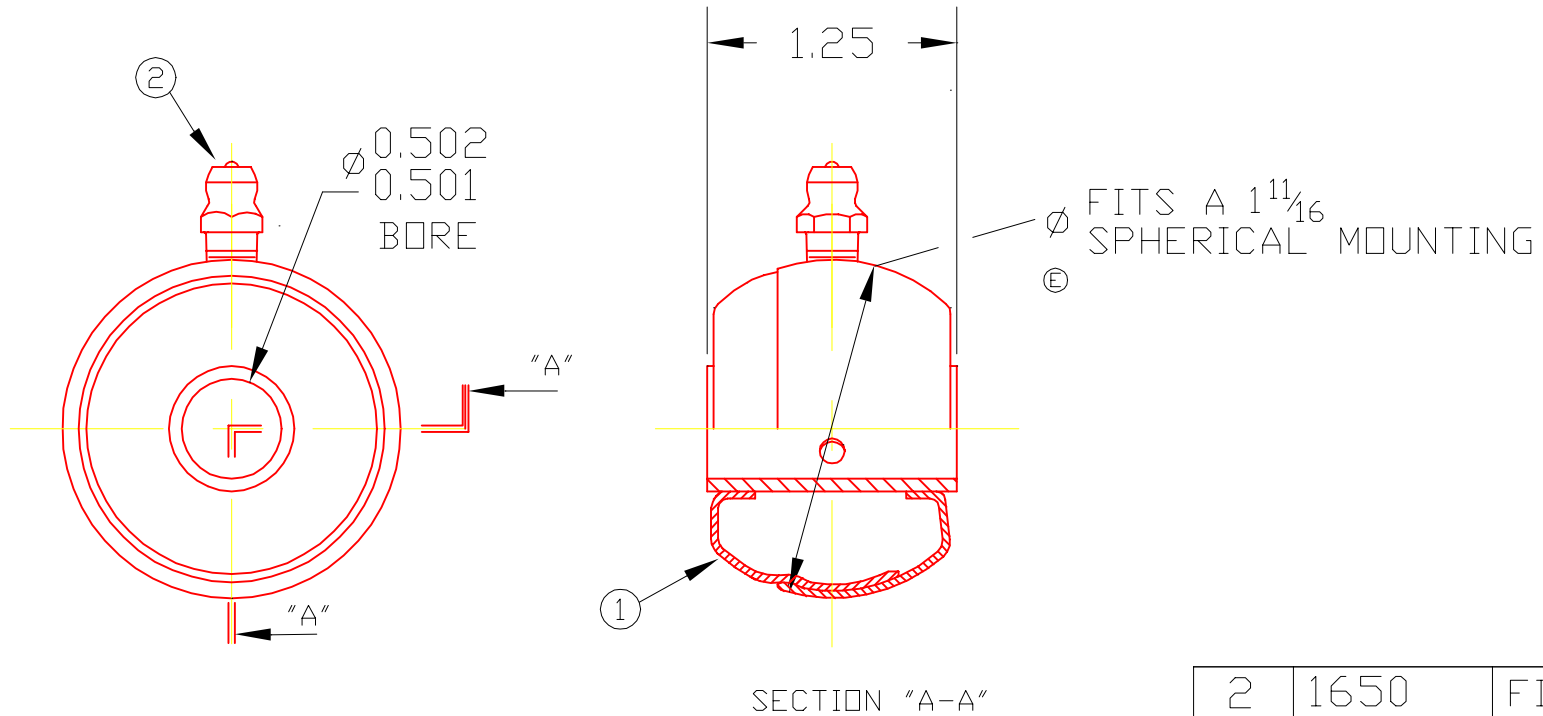


H8G



2	1650	FITTING	1
1	H8H	BRG. BALL	1
DET	PART NUMBER	DESCRIPTION	AMT

 TRIANGLE MANUFACTURING CO.
 OSHKOSH, WI.

NAME BRG. BALL, STAMPED

USED IN H SERIES

DATE 4-18-63 PART NO.

DRAWN LML

CHECKED SP

SCALE 1 / 1

H8G

LUB.	NONE
PLATING	////
MATERIAL	SEE DETAILS
ALL DIMS. \pm .020 UNLESS OTHERWISE SPECIFIED	

CHANGE LEVEL
E 07-13-93