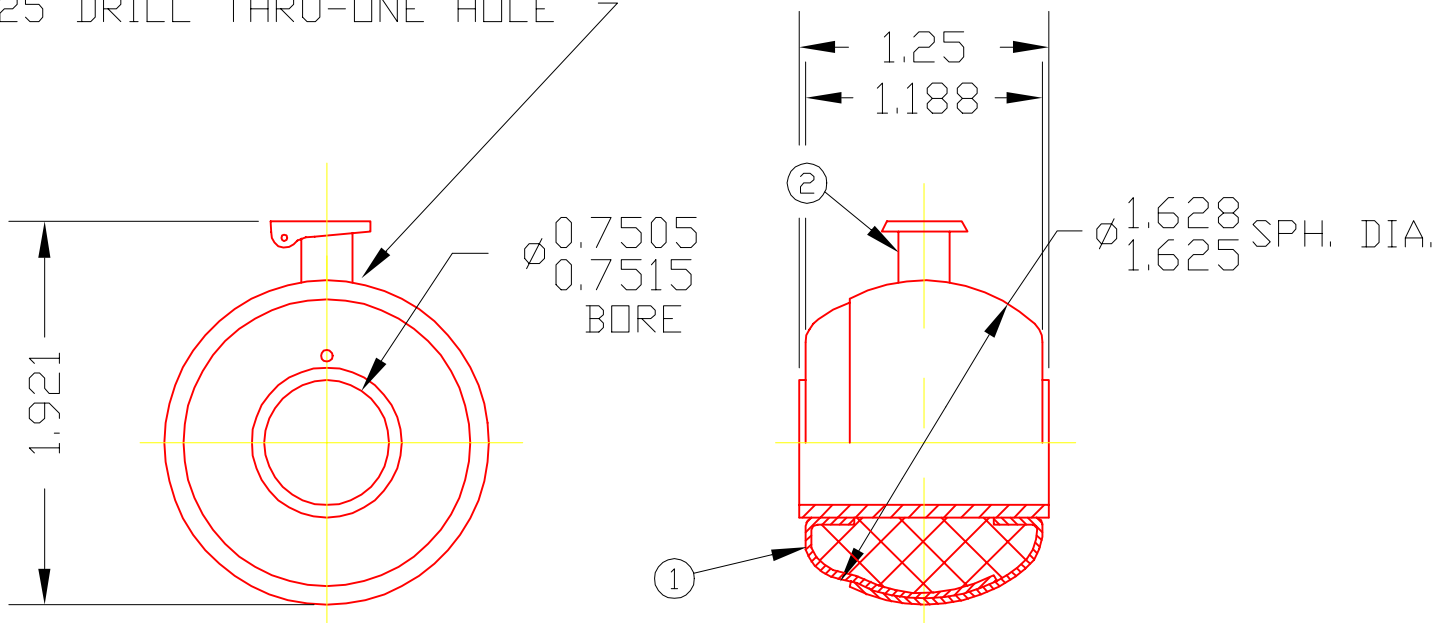


D12A

0.25 DRILL THRU-ONE HOLE



2	1062-6	OIL CUP	1
1	D12P	BRG. BALL	1
DET	PART NUMBER	DESCRIPTION	AMT

▲ TRIANGLE MANUFACTURING CO.
OSHKOSH, WI.

NAME BRG. BALL, STAMPED

USED IN D SERIES

DATE	2-20-64	PART NO.
DRAWN	LML	D12A
CHECKED	SP	
SCALE	1 / 1	

LUB.	OIL TMC #L-1
PLATING	////
MATERIAL	SEE DETAILS
ALL DIMS ±.02 UNLESS SPECIFIED	

CHANGE LEVEL
A 10-22-90