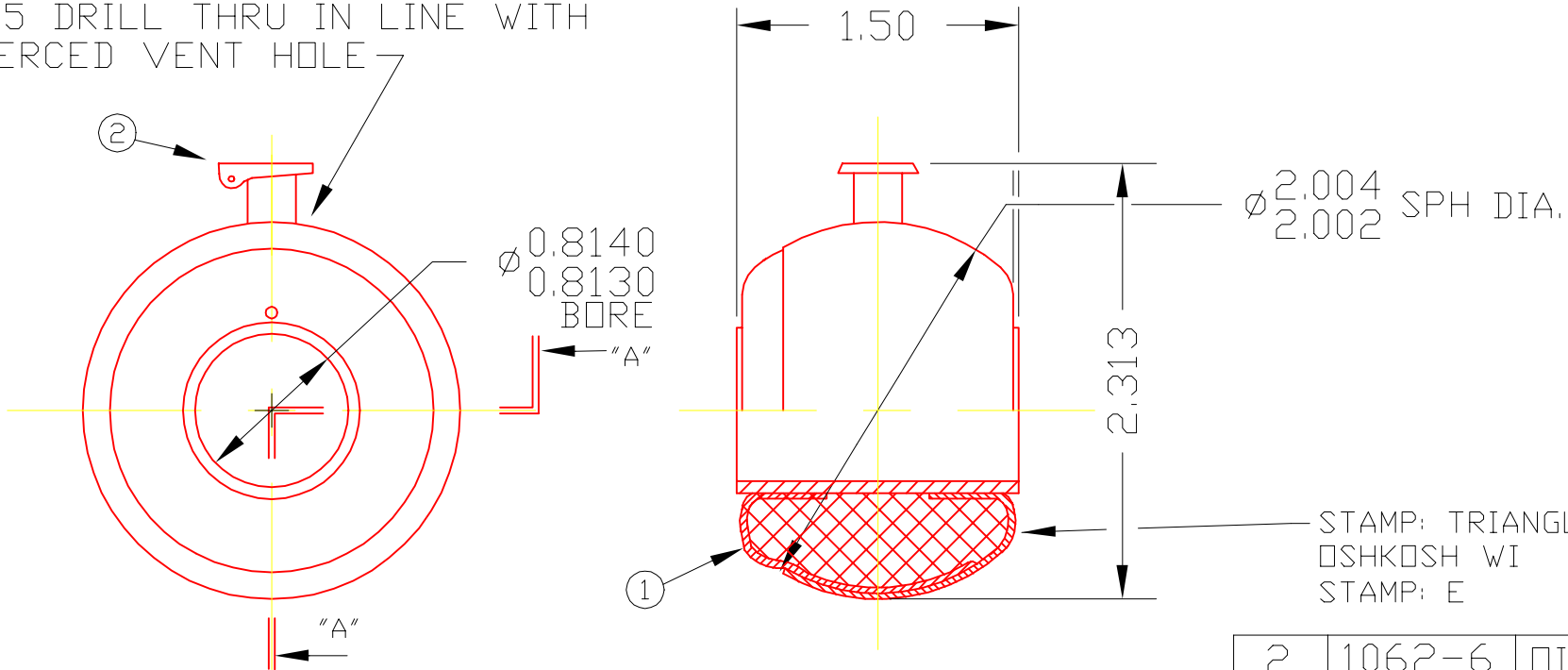


E13A

0.25 DRILL THRU IN LINE WITH
PIERCED VENT HOLE



①

SECTION "A-A"

STAMP: TRIANGLE
OSHKOSH WI
STAMP: E

2	1062-6	OIL CUP	1
1	E13P	BRG. BALL	1
DET	PART NUMBER	DESCRIPTION	AMT

▲ TRIANGLE MANUFACTURING CO.
OSHKOSH, WI.

NAME BRG. BALL, STAMPED	
USED IN E SERIES	
DATE 12-26-61	PART NO.
DRAWN LML	E13A
CHECKED MJK	
SCALE 1 / 1	

FIT	////
PLATING	////
MATERIAL	SEE DETAILS
ALL DIMS. ±.020 UNLESS OTHERWISE SPECIFIED	

CHANGE LEVEL
B 9-3-74